



# ELECTRIC SECURITY RIM LOCKS GENERAL SPECIFICATION

## PRODUCT RANGE

## ELECTRIC RIM LOCKS FOR WOODEN DOORS:

## ADDITIONAL PRODUCT INFORMATION

- 50 mm. fixed outside cylinder length or loose outside cylinder.
- Right or left hand.
- Self locking latchbolt.  
Backsets: 40-50-60-70-80 mm.  
Operation: outside by key, inside by push button or key.  
Inside by push button and key for models with stop device.
- Self locking latchbolt and double throw deadbolt.  
Backsets: 50-60-70-80 mm.  
Operation: outside by key, inside either by push button and key or by key only.

## SECURITY FEATURES

- Stop device: by pushing button and at the same time turning the key clockwise it is possible to hold latchbolt in open position. By turning the key clockwise only the push button is deactivated holding latchbolt in closed position.
- 35-45-60-70-80-90 mm. outside fixed cylinder lengths on request.
- Locks can be supplied keyed alike (KA).
- Staple with roller reducing frictions during opening and closing operations.
- 2 solenoid units voltage 12 V ca- 15W.
- Special wire coupling with terminals for quick clamping.
- Ergonomic button and pulling handle.
- Suitable for replacing many models of electric locks.

## MATERIAL SPECIFICATION

- Outside cylinders with 5 pin tumbler key mechanism(2 picking resistant) with thousands of different combinations preset and bit by computer system equipments. 50.000 cycle durability.
- Paracentric keyway.
- Self locking latchbolt.
- Single and double throw heavy duty deadbolt.
- Protected solenoids preventing anyone reaching them from outside.
- CE product certified by NEMKO.

## FINISHES

- Steel case and staple.
- Nickel plated brass latchbolt and deadbolt.
- ABS button and handle.
- Extruded solid brass cylinder body and plug.
- Inox steel cylinder springs.
- Brass strip for keys.
- Solenoids supplied by most reliable manufacturer.

## AVAILABLE ACCESSORY

- Case and staple electrostatically coated by epoxidic powder suitable for outdoor fitting.

## PACKING

- Transformer.
- Singly boxed.

## GUARANTEE

- All our locks are covered by a 5 year mechanical guarantee.

# ELECTRIC RIM LOCKS FOR WOODEN DOORS

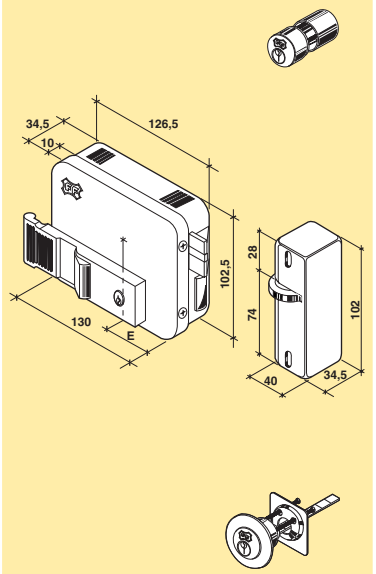


## GENERAL SPECIFICATION

Double cylinder: inside fixed / outside fixed or loose with 5 pin tumbler mechanism (2 picking resistant).  
50 mm. fixed cylinder standard length.

Electrostatically coated by silver colour epoxidic powder.  
Supplied with staple, rose and its fixing screws.  
3 nickel plated brass keys.

COD.	E		€
<b>INSIDE BUTTON AND CYLINDER. SELF LOCKING LATCHBOLT. DOUBLE THROW DEADBOLT.</b>			
Inside: latchbolt operated by button. Latchbolt and deadbolt operated by key.			
Outside: latchbolt and deadbolt operated by key.			
<b>FIXED OUTSIDE CYLINDER</b>			
24 101 50	50	Right	1
24 101 60	60	Right	1
24 101 70	70	Right	1
24 101 80	80	Right	1
24 103 50	50	Left	1
24 103 60	60	Left	1
24 103 70	70	Left	1
24 103 80	80	Left	1
<b>LOOSE OUTSIDE CYLINDER</b>			
24 102 50	50	Right	1
24 102 60	60	Right	1
24 102 70	70	Right	1
24 102 80	80	Right	1
24 104 50	50	Left	1
24 104 60	60	Left	1
24 104 70	70	Left	1
24 104 80	80	Left	1





# ELECTRIC RIM LOCKS FOR WOODEN DOORS

## GENERAL SPECIFICATION

Double cylinder: inside fixed / outside fixed or loose with 5 pin tumbler mechanism (2 picking resistant).  
50 mm. fixed cylinder standard length.

Electrostatically coated by silver colour epoxidic powder.  
Supplied with staple, rose and its fixing screws.  
3 nickel plated brass keys.

	COD.	E		€
	<b>INSIDE CYLINDER. SELF LOCKING LATCHBOLT. DOUBLE THROW DEADBOLT.</b>			
	Inside: latchbolt and deadbolt operated by key. Outside: latchbolt and deadbolt operated by key.			
	<b>FIXED OUTSIDE CYLINDER</b>			
	24 121 50	50	Right	1
	24 121 60	60	Right	1
	24 121 70	70	Right	1
	24 121 80	80	Right	1
	24 123 50	50	Left	1
	24 123 60	60	Left	1
	24 123 70	70	Left	1
	24 123 80	80	Left	1
	<b>LOOSE OUTSIDE CYLINDER</b>			
	24 122 50	50	Right	1
	24 122 60	60	Right	1
24 122 70	70	Right	1	
24 122 80	80	Right	1	
24 124 50	50	Left	1	
24 124 60	60	Left	1	
24 124 70	70	Left	1	
24 124 80	80	Left	1	

# ELECTRIC RIM LOCKS FOR WOODEN DOORS



## GENERAL SPECIFICATION


Double cylinder: inside fixed / outside fixed or loose with 5 pin tumbler mechanism (2 picking resistant).

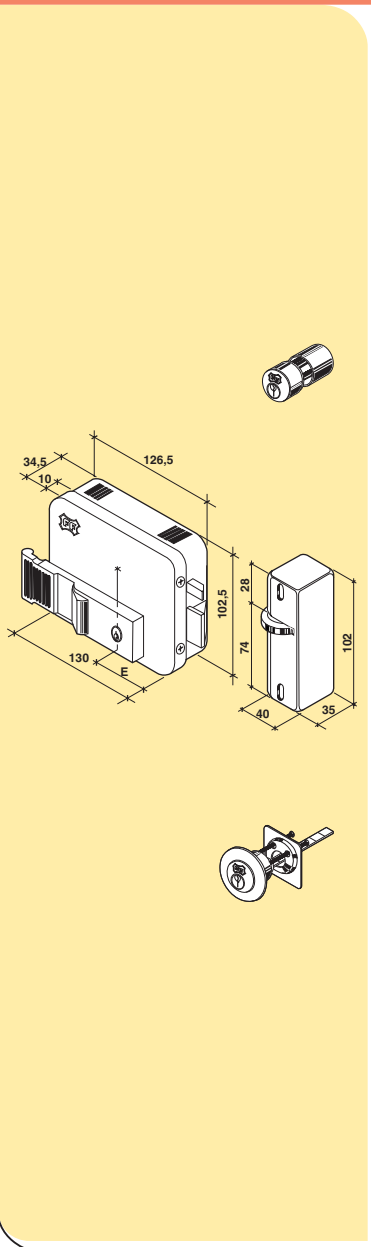
Stop device: by pushing button and at the same time turning the key clockwise it is possible to hold latch bolt in open position. By turning the key clockwise only the push button

is deactivated holding latchbolt in closed position.  
50 mm. fixed cylinder standard length.

Electrostatically **coated by silver colour epoxidic powder.**

Supplied with staple, rose and its fixing screws.  
3 nickel plated brass keys.

COD.	E		€
<b>INSIDE BUTTON AND CYLINDER. SELF LOCKING LATCHBOLT WITH STOP DEVICE.</b>			
Inside: latchbolt operated by button. Latchbolt and stop device operated by key.			
Outside: latchbolt operated by key.			
<b>FIXED OUTSIDE CYLINDER</b>			
24 111 40	40	Right	1
24 111 50	50	Right	1
24 111 60	60	Right	1
24 111 70	70	Right	1
24 111 80	80	Right	1
24 113 40	40	Left	1
24 113 50	50	Left	1
24 113 60	60	Left	1
24 113 70	70	Left	1
24 113 80	80	Left	1
<b>LOOSE OUTSIDE CYLINDER</b>			
24 112 40	40	Right	1
24 112 50	50	Right	1
24 112 60	60	Right	1
24 112 70	70	Right	1
24 112 80	80	Right	1
24 114 40	40	Left	1
24 114 50	50	Left	1
24 114 60	60	Left	1
24 114 70	70	Left	1
24 114 80	80	Left	1



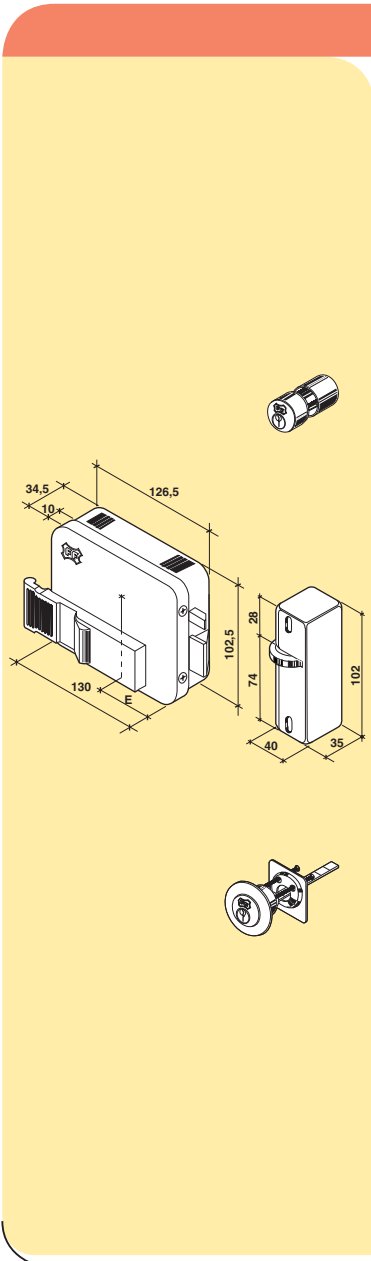


# ELECTRIC RIM LOCKS FOR WOODEN DOORS

## GENERAL SPECIFICATION

Outside fixed or loose cylinder with 5 pin tumbler mechanism (2 picking resistant).  
50 mm. fixed cylinder standard length.

Electrostatically coated by silver colour epoxidic powder.  
Supplied with staple, rose and its fixing screws.  
3 nickel plated brass keys.



COD.

E



### INSIDE BUTTON.

#### SELF LOCKING LATCHBOLT.

Inside: latchbolt operated by button.  
Outside: latchbolt operated by key.

### FIXED OUTSIDE CYLINDER

24 131 40	40	Right	1
24 131 50	50	Right	1
24 131 60	60	Right	1
24 131 70	70	Right	1
24 131 80	80	Right	1

24 133 40	40	Left	1
24 133 50	50	Left	1
24 133 60	60	Left	1
24 133 70	70	Left	1
24 133 80	80	Left	1

### LOOSE OUTSIDE CYLINDER

24 132 40	40	Right	1
24 132 50	50	Right	1
24 132 60	60	Right	1
24 132 70	70	Right	1
24 132 80	80	Right	1

24 134 40	40	Left	1
24 134 50	50	Left	1
24 134 60	60	Left	1
24 134 70	70	Left	1
24 134 80	80	Left	1

# ELECTRIC RIM LOCKS FOR WOODEN DOORS

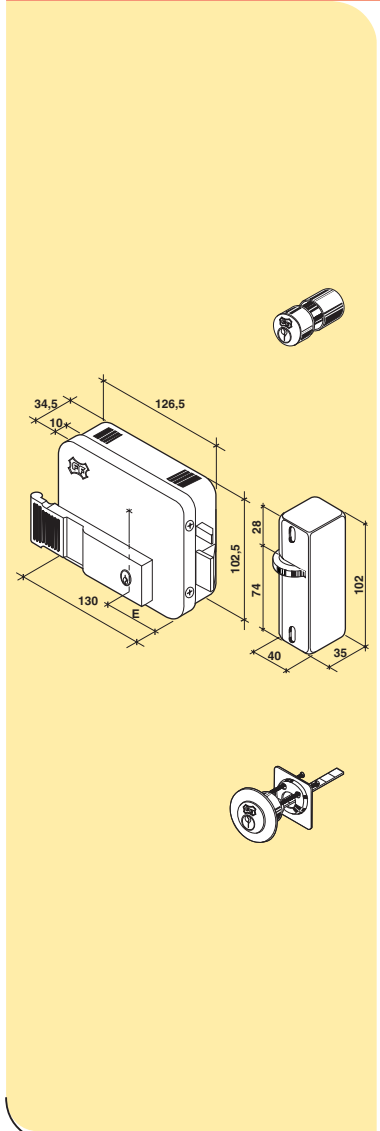


## GENERAL SPECIFICATION

Double cylinder: inside fixed / outside fixed or loose with 5 pin tumbler mechanism (2 picking resistant).  
50 mm. fixed cylinder standard length.

Electrostatically coated by silver colour epoxidic powder.  
Supplied with staple, rose and its fixing screws.  
3 nickel plated brass keys.

COD.	E		€
<b>INSIDE CYLINDER. SELF LOCKING LATCHBOLT.</b>			
Inside: latchbolt operated by key. Outside:latchbolt operated by key.			
<b>FIXED OUTSIDE CYLINDER</b>			
24 141 40	40	Right	1
24 141 50	50	Right	1
24 141 60	60	Right	1
24 141 70	70	Right	1
24 141 80	80	Right	1
24 143 40	40	Left	1
24 143 50	50	Left	1
24 143 60	60	Left	1
24 143 70	70	Left	1
24 143 80	80	Left	1
<b>LOOSE OUTSIDE CYLINDER</b>			
24 142 40	40	Right	1
24 142 50	50	Right	1
24 142 60	60	Right	1
24 142 70	70	Right	1
24 142 80	80	Right	1
24 144 40	40	Left	1
24 144 50	50	Left	1
24 144 60	60	Left	1
24 144 70	70	Left	1
24 144 80	80	Left	1



## ELECTRIC RIM LOCK ACCESSORIES FOR 24 CODE MODELS

COD.		€
<b>TRANSFORMER</b>		
Intermittent current - VA 18 Direct current - VA 13,5		
H 511 011 00 1	Primary 110 volts. Secondary 12 volts.	1
H 511 022 00 1	Primary 220 volts. Secondary 12 volts.	1
<b>SOLENOID</b>		
H 2050 00 00 1	Pair of coils.	12



# ELECTRIC RIM LOCKS FOR WOODEN DOORS

## GENERAL SPECIFICATION

Outside fixed or loose cylinder with 5 pin tumbler mechanism (2 picking resistant).  
50 mm. standard fixed cylinder length.  
One solenoid voltage 12v ca 15 W.

Electrostatically coated by hazel colour epoxidic powder.  
Supplied with staple, rose and its fixing screws.  
3 nickel plated brass keys.

COD.	E		☐	€
<b>INSIDE BUTTON.</b>				
<b>SAFETY LATCHBOLT.</b>				
Inside: latchbolt operated by button.				
Outside: latchbolt operated by key.				
<b>FIXED OUTSIDE CYLINDER</b>				
P 90 40 10	40	Right		1
P 90 50 10	50	Right		1
P 90 60 10	60	Right		1
P 90 70 10	70	Right		1
P 90 40 30	40		Left	1
P 90 50 30	50		Left	1
P 90 60 30	60		Left	1
P 90 70 30	70		Left	1
<b>LOOSE OUTSIDE CYLINDER</b>				
P 90 40 20	40	Right		1
P 90 50 20	50	Right		1
P 90 60 20	60	Right		1
P 90 70 20	70	Right		1
P 90 40 40	40		Left	1
P 90 50 40	50		Left	1
P 90 60 40	60		Left	1
P 90 70 40	70		Left	1

## ELECTRIC RIM LOCK ACCESSORIES FOR P90 CODE MODELS

COD.		☐	€
<b>TRANSFORMER</b>			
Intermittent current - VA 18			
Direct current - VA 13,5			
H 511 011 00 1	Primary 110 V. Secondary 12 V.		1
H 511 022 00 1	Primary 220 V. Secondary 12 V.		1
<b>SOLENOID</b>			
H 2002 00 00 1	One solenoid unit.		10