



# ELECTRIC SECURITY RIM LOCKS GENERAL SPECIFICATION

## PRODUCT RANGE

## ELECTRIC RIM LOCKS FOR GATES AND IRON DOORS:

## ADDITIONAL PRODUCT INFORMATION

## SECURITY FEATURES

## MATERIAL SPECIFICATION

## FINISHES

## AVAILABLE ACCESSORY

## PACKING

## GUARANTEE

- Fixed outside 50 mm. cylinder length.
- Right or left hand.
- Self locking latchbolt.  
Backsets: 40-50-60-70-80 mm.  
Operation: outside by key, inside by push button or key.  
Inside by push button and key for models with stop device.
- Self locking latchbolt and double throw deadbolt.  
Backsets: 50-60-70-80 mm.  
Operation: outside by key, inside either by push button and key or key only.

- Stop device: by pushing button and at the same time turning the key clockwise it is possible to hold latchbolt in open position. By turning the key clockwise only the push button is deactivated holding latchbolt in closed position.
- 35-45-60-70-80-90 mm. fixed cylinder lengths on request.
- Locks can be supplied keyed alike (KA).
- Staple with roller reducing frictions during opening and closing operations.
- 2 solenoid units voltage 12 V ca- 15W.
- Special wire coupling with terminals for quick clamping.
- Ergonomic button and pulling handle.
- Suitable for replacing many models of electric locks.

- Outside cylinders with 5 pin tumbler key mechanism (2 picking resistant) with thousands of different combinations preset and bit by computer system equipments. 50.000 cycle durability.
- Paracentric keyway.
- Self locking latchbolt.
- Single and double throw heavy duty deadbolt.
- Protected solenoids preventing anyone reaching them from outside.
- CE product certified by NEMKO.

- Steel case and staple.
- Nickel plated brass latchbolt and deadbolt.
- ABS button and handle.
- Extruded solid brass cylinder body and plug.
- Inox steel cylinder springs.
- Brass strip for keys.
- Solenoids supplied by most reliable manufacturer.

- Zinc plated case and staple.

- Transformer.

- Singly boxed.

- All our locks are covered by a 5 year mechanical guarantee.

# ELECTRIC RIM LOCKS FOR GATES AND IRON DOORS



## GENERAL SPECIFICATION

Double cylinder: inside fixed / outside fixed with 5 pin tumbler mechanism (2 picking resistant).

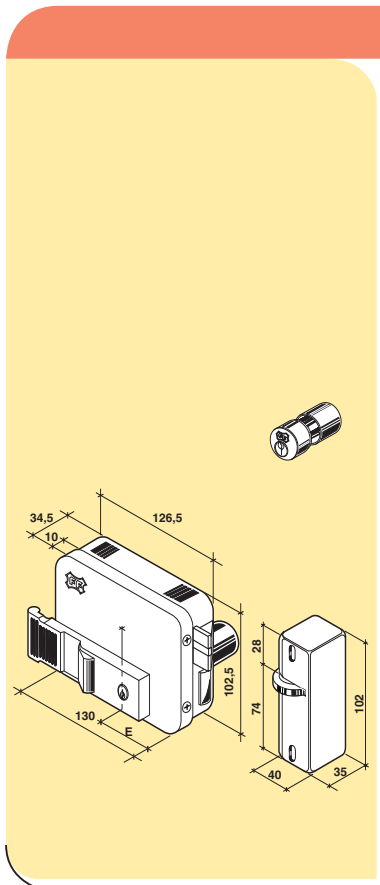
50 mm. fixed cylinder standard length.

**Zinc plated.** Supplied with staple, rose and its fixing screws.

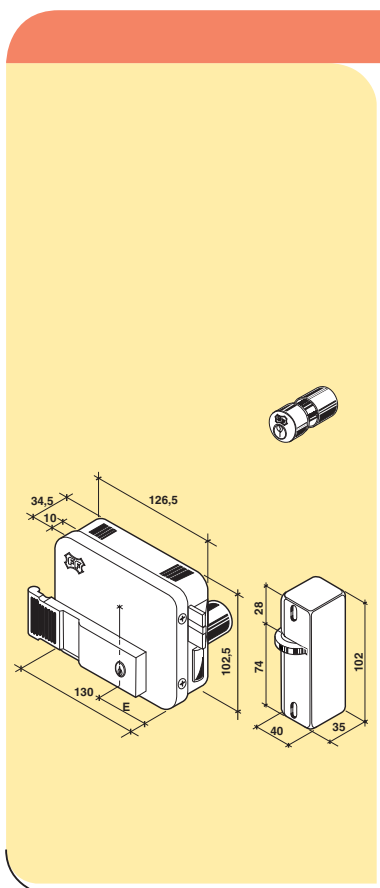
3 nickel plated brass keys.

**Supplied with supporting and protecting plates for case and staple as well as their fixing screws.**

COD.	E		€
<b>INSIDE BUTTON AND CYLINDER. SELF LOCKING LATCHBOLT. DOUBLE THROW DEADBOLT.</b>			
Inside: latchbolt operated by button. Latchbolt and deadbolt operated by key.			
Outside: latchbolt and deadbolt operated by key.			
<b>FIXED OUTSIDE CYLINDER</b>			
24 151 50	50	Right	1
24 151 60	60	Right	1
24 151 70	70	Right	1
24 151 80	80	Right	1
24 153 50	50	Left	1
24 153 60	60	Left	1
24 153 70	70	Left	1
24 153 80	80	Left	1



COD.	E		€
<b>INSIDE CYLINDER. SELF LOCKING LATCHBOLT. DOUBLE THROW DEADBOLT.</b>			
Inside: latchbolt and deadbolt operated by key.			
Outside: latchbolt and deadbolt operated by key.			
<b>FIXED OUTSIDE CYLINDER</b>			
24 171 50	50	Right	1
24 171 60	60	Right	1
24 171 70	70	Right	1
24 171 80	80	Right	1
24 173 50	50	Left	1
24 173 60	60	Left	1
24 173 70	70	Left	1
24 173 80	80	Left	1



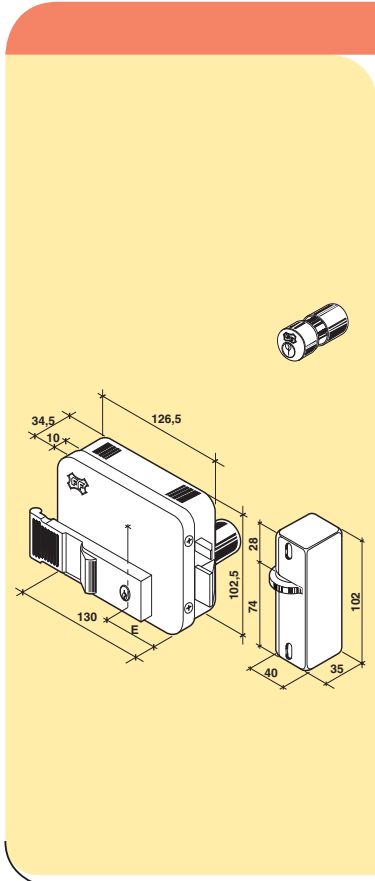


# ELECTRIC RIM LOCKS FOR GATES AND IRON DOORS

## GENERAL SPECIFICATION

Double cylinder: inside fixed / outside fixed with 5 pin tumbler mechanism (2 picking resistant).  
 Stop device: by pushing button and at the same time turning the key clockwise it is possible to hold latchbolt in open position.  
 By turning the key clockwise only the push button is deactivated

holding latchbolt in closed position. 50 mm. fixed cylinder standard length. **Zinc plated.** Supplied with staple, rose and its fixing screws. 3 nickel plated brass keys.  
**Supplied with supporting and protecting plates for case and staple as well as its fixing screws.**



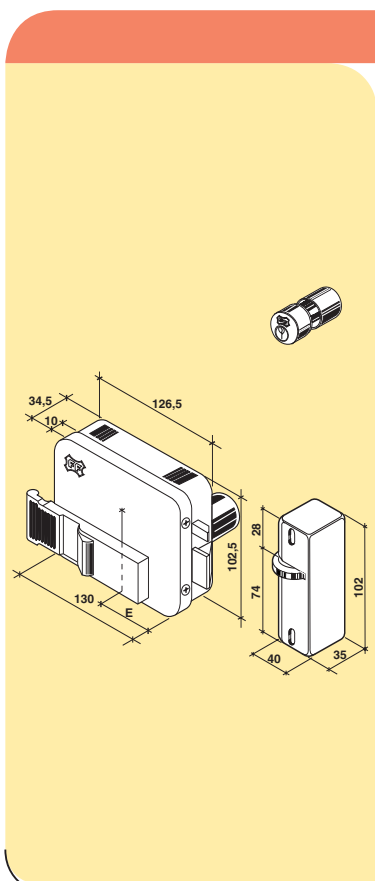
COD. E

### INSIDE BUTTON AND CYLINDER. SELF LOCKING LATCHBOLT WITH STOP DEVICE.

Inside: latchbolt operated by button. Latchbolt and stop device operated by key.  
 Outside: latchbolt operated by key.

### FIXED OUTSIDE CYLINDER

24 161 40	40	Right	1
24 161 50	50	Right	1
24 161 60	60	Right	1
24 161 70	70	Right	1
24 161 80	80	Right	1
24 163 40	40	Left	1
24 163 50	50	Left	1
24 163 60	60	Left	1
24 163 70	70	Left	1
24 163 80	80	Left	1



COD. E

### INSIDE PUSH BUTTON. SELF LOCKING LATCHBOLT.

Inside: latchbolt operated by push button.  
 Outside: latchbolt operated by key.

### FIXED OUTSIDE CYLINDER

24 181 40	40	Right	1
24 181 50	50	Right	1
24 181 60	60	Right	1
24 181 70	70	Right	1
24 181 80	80	Right	1
24 183 40	40	Left	1
24 183 50	50	Left	1
24 183 60	60	Left	1
24 183 70	70	Left	1
24 183 80	80	Left	1

# ELECTRIC RIM LOCKS FOR GATES AND IRON DOORS.



## GENERAL SPECIFICATION

Double cylinder: inside fixed / outside fixed with 5 pin tumbler mechanism (2 picking resistant).

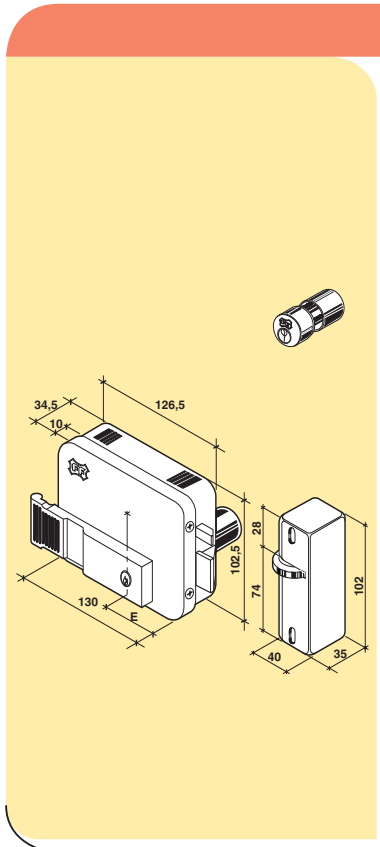
50 mm. fixed cylinder standard length.

**Zinc plated.** Supplied with staple, rose and its fixing screws.

3 nickel plated brass keys.

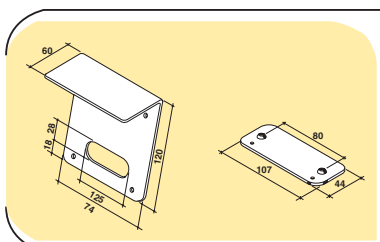
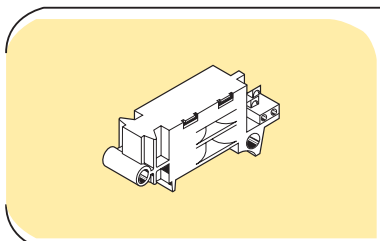
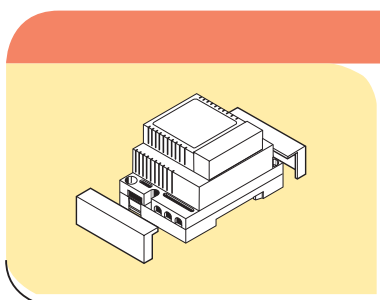
**Supplied with supporting and protecting plates for case and staple as well as their fixing screws.**

COD.	E		€
<b>INSIDE CYLINDER. SELF LOCKING LATCHBOLT.</b>			
Inside:latchbolt operated by key. Outside:latchbolt operated by key.			
<b>FIXED OUTSIDE CYLINDER</b>			
24 191 40	40	Right	1
24 191 50	50	Right	1
24 191 60	60	Right	1
24 191 70	70	Right	1
24 191 80	80	Right	1
24 193 40	40	Left	1
24 193 50	50	Left	1
24 193 60	60	Left	1
24 193 70	70	Left	1
24 193 80	80	Left	1



## ELECTRIC RIM LOCK ACCESSORIES FOR 24 CODE MODELS

COD.		€
<b>TRANSFORMER</b>		
Intermittent current - VA 18 Direct current - VA 13,5		
H 511 011 00 1	Primary 110 volts. Secondary 12 volts.	1
H 511 022 00 1	Primary 220 volts. Secondary 12 volts.	1
<b>SOLENOID</b>		
H 2050 00 00 1	Pair of coils.	12
<b>ZINC PLATED STEEL PROTECTING ROOF AND STAPLE SUPPORTING PLATE.</b>		
60 067 00 28 1	Supplied with fixing screws.	10





# ELECTRIC RIM LOCKS FOR GATES AND IRON DOORS

## GENERAL SPECIFICATION

Double cylinder: inside fixed / outside fixed with 5 pin tumbler mechanism (2 picking resistant).  
50 mm. standard fixed cylinder length.

One solenoid voltage 12v ca 15 W.  
**Zinc plated.** Supplied with staple, rose and its fixing screws.  
3 nickel plated brass keys.

COD.	E		€	
	<b>INSIDE CYLINDER. SAFETY LATCHBOLT.</b> Inside: latchbolt operated by key. Outside: latchbolt operated by key.			
	<b>FIXED OUTSIDE CYLINDER</b>			
	P 91 40 10	40	Right	1
	P 91 50 10	50	Right	1
	P 91 60 10	60	Right	1
	P 91 70 10	70	Right	1
	P 91 40 30	40	Left	1
	P 91 50 30	50	Left	1
	P 91 60 30	60	Left	1
	P 91 70 30	70	Left	1

## ELECTRIC RIM LOCK ACCESSORIES FOR P91 CODE MODELS

COD.		€	
	<b>TRANSFORMER</b> Intermittent current - VA 18 Direct current - VA 13,5		
	H 511 011 00 1	Primary 110 V - Secondary 12 V	1
H 511 022 00 1	Primary 220 V - Secondary 12 V.	1	
	<b>SOLENOID</b> H 2002 00 00 1 One solenoid unit.		10
	<b>ZINC PLATED STEEL PROTECTING ROOF AND STAPLE SUPPORTING PLATE.</b>		
	60 068 00 28 1	Supplied with fixing screws for right models.	10
60 069 00 28 1	Supplied with fixing screws for left models	10	