



# SECURITY RIM LOCKS GENERAL SPECIFICATION

## PRODUCT RANGE

## RIM LOCKS FOR WOODEN DOORS:

## SECURITY FEATURES

- Fixed or loose outside cylinder.
- Right or left hand.
- Latch and double or triple throw deadbolt.
- Latch and double throw deadbolt Athens model.
- Latch and double throw deadbolt with chain.
- Latch and triple throw deadbolt with 6 or 8 mm. spindle hole.
- Latch and double or triple throw deadbolt with inside knob.
- Accessories available.
- Locks can be supplied keyed alike KA.
- Suitable for replacing many models of rim locks.

## MATERIAL SPECIFICATION

- Outside cylinders with 5 pin tumbler mechanism (2 picking resistant) with thousands of different combinations preset and bit by computer system equipments. 50.000 cycle durability
- Paracentric keyway.

## FINISHES

- Steel case and staple.
- Extruded solid brass cylinder body and plug.
- Inox steel cylinder springs.
- Brass strip for keys.

## PACKING

- Case and staple electrostatically coated by epoxidic powder suitable for outdoor fitting.

## GUARANTEE

- Singly boxed. Supplied with fixing screws.

- All our locks are covered by a 5 year mechanical guarantee.

# RIM LOCKS FOR WOODEN DOORS



## GENERAL SPECIFICATION

Double cylinder: inside fixed / outside fixed or loose with 5 pin tumbler mechanism (2 picking resistant).  
50mm. fixed cylinder standard length.

Electrostatically coated by hazel colour epoxidic powder.  
Supplied with staple, escutcheon and fixing screws.  
3 nickel plated brass keys.

	COD.	E	A		€
	<b>LATCHBOLT AND DOUBLE THROW DEADBOLT</b>				
	<b>FIXED OUTSIDE CYLINDER</b>				
	P 20 40 10	40	85	Right	1
	P 20 50 10	50	100	Right	1
	P 20 60 10	60	120	Right	1
	P 20 70 10	70	140	Right	1
	P 20 40 30	40	85	Left	1
	P 20 50 30	50	100	Left	1
	P 20 60 30	60	120	Left	1
	P 20 70 30	70	140	Left	1
	<b>LOOSE OUTSIDE CYLINDER</b>				
	P 20 40 20	40	85	Right	1
	P 20 50 20	50	100	Right	1
	P 20 60 20	60	120	Right	1
	P 20 70 20	70	140	Right	1
	P 20 40 40	40	85	Left	1
P 20 50 40	50	100	Left	1	
P 20 60 40	60	120	Left	1	
P 20 70 40	70	140	Left	1	

	COD.	E	A		€
	<b>LATCHBOLT AND TRIPLE THROW DEADBOLT</b>				
	<b>FIXED OUTSIDE CYLINDER</b>				
	P 30 60 10	60	120	Right	1
	P 30 70 10	70	140	Right	1
	P 30 60 30	60	120	Left	1
	P 30 70 30	70	140	Left	1
	<b>LOOSE OUTSIDE CYLINDER</b>				
	P 30 60 20	60	120	Right	1
	P 30 70 20	70	140	Right	1
	P 30 60 40	60	120	Left	1
	P 30 70 40	70	140	Left	1

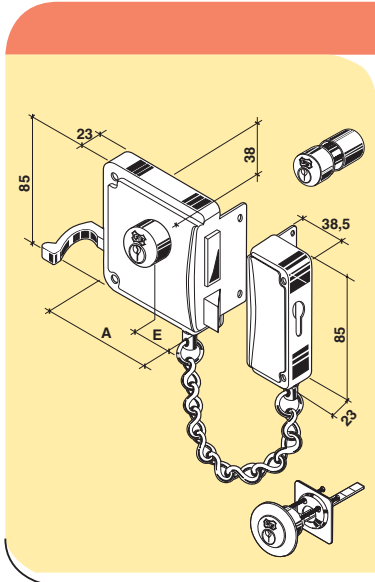


# RIM LOCKS FOR WOODEN DOORS

## GENERAL SPECIFICATION

Double cylinder: inside fixed / outside fixed or loose with 5 pin tumbler mechanism (2 picking resistant). 50mm. fixed cylinder standard length.

Electrostatically coated by hazel colour epoxidic powder. Supplied with staple, escutcheon and fixing screws. 3 nickel plated brass keys.



**COD.**

**E**

**A**



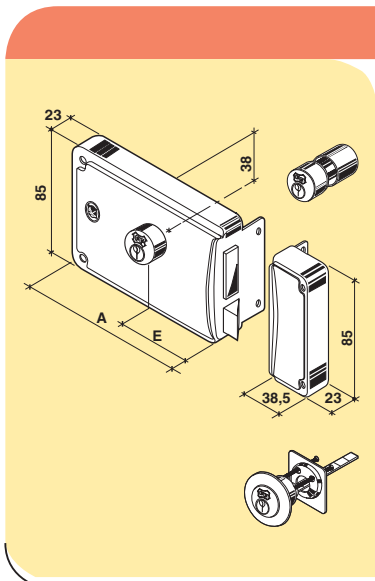
### LATCHBOLT AND DOUBLE THROW DEADBOLT WITH CHAIN

#### FIXED OUTSIDE CYLINDER

P 21 50 10	50	100	Right	1
P 21 60 10	60	120	Right	1

#### LOOSE OUTSIDE CYLINDER

P 21 50 20	50	100	Right	1
P 21 60 20	60	120	Right	1



**COD.**

**E**

**A**



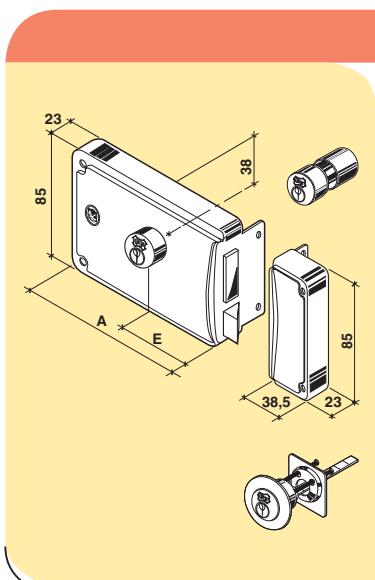
### LATCHBOLT AND TRIPLE THROW DEADBOLT 8 mm. SPINDLE HOLE

#### FIXED OUTSIDE CYLINDER

P 33 60 10	60	140	Right	2
P 33 60 30	60	140	Left	2

#### LOOSE OUTSIDE CYLINDER

P 33 60 20	60	140	Right	1
P 33 60 40	60	140	Left	1



**COD.**

**E**

**A**



### LATCHBOLT AND TRIPLE THROW DEADBOLT 6 mm. SPINDLE HOLE

#### FIXED OUTSIDE CYLINDER

P 34 60 10	60	140	Right	2
P 34 60 30	60	140	Left	2

#### LOOSE OUTSIDE CYLINDER

P 34 60 20	60	140	Right	1
P 34 60 40	60	140	Left	1

# RIM LOCKS FOR WOODEN DOORS



## GENERAL SPECIFICATION

Double cylinder: inside fixed / outside fixed or loose with 5 pin tumbler mechanism (2 picking resistant). 50mm. fixed cylinder standard length.

Electrostatically coated by hazel colour epoxidic powder. Supplied with staple, escutcheon and fixing screws. 3 nickel plated brass keys.

	COD.	E	A		€	
	<b>LATCHBOLT AND DOUBLE THROW DEADBOLT. INSIDE KNOB</b>					
	<b>FIXED OUTSIDE CYLINDER</b>					
	P 22 40 10	40	85	Right	1	
	P 22 50 10	50	100	Right	1	
	P 22 60 10	60	120	Right	1	
	P 22 70 10	70	140	Right	1	
	P 22 40 30	40	85	Left	1	
	P 22 50 30	50	100	Left	1	
	P 22 60 30	60	120	Left	1	
	P 22 70 30	70	140	Left	1	
	<b>LOOSE OUTSIDE CYLINDER</b>					
	P 22 40 20	40	85	Right	1	
	P 22 50 20	50	100	Right	1	
	P 22 60 20	60	120	Right	1	
	P 22 70 20	70	140	Right	1	
	P 22 40 40	40	85	Left	1	
	P 22 50 40	50	100	Left	1	
	P 22 60 40	60	120	Left	1	
P 22 70 40	70	140	Left	1		

	COD.	E	A		€	
	<b>LATCHBOLT AND TRIPLE THROW DEADBOLT. INSIDE KNOB</b>					
	<b>FIXED OUTSIDE CYLINDER</b>					
	P 32 60 10	60	120	Right	1	
	P 32 70 10	70	140	Right	1	
	P 32 60 30	60	120	Left	1	
	P 32 70 30	70	140	Left	1	
	<b>LOOSE OUTSIDE CYLINDER</b>					
	P 32 60 20	60	120	Right	1	
	P 32 70 20	70	140	Right	1	
	P 32 60 40	60	120	Left	1	
	P 32 70 40	70	140	Left	1	



# RIM LOCKS FOR WOODEN DOORS

## GENERAL SPECIFICATION

Double cylinder: inside fixed / outside fixed or loose with 5 pin tumbler mechanism (2 picking resistant).  
50mm. fixed cylinder standard length.

Electrostatically coated by hazel colour epoxidic powder.  
Supplied with staple, escutcheon and fixing screws.  
3 nickel plated brass keys.

	COD.	E	A		€
	<b>LATCHBOLT AND DOUBLE THROW DEADBOLT -ATHENS MODEL-</b>				
	<b>FIXED OUTSIDE CYLINDER</b>				
	P 24 40 10	40	85	Right	1
	P 24 50 10	50	100	Right	1
	P 24 60 10	60	120	Right	1
	P 24 70 10	70	140	Right	1
	P 24 40 30	40	85	Left	1
	P 24 50 30	50	100	Left	1
	P 24 60 30	60	120	Left	1
	P 24 70 30	70	140	Left	1
	<b>LOOSE OUTSIDE CYLINDER</b>				
	P 24 40 20	40	85	Right	1
	P 24 50 20	50	100	Right	1
	P 24 60 20	60	120	Right	1
	P 24 70 20	70	140	Right	1
	P 24 40 40	40	85	Left	1
	P 24 50 40	50	100	Left	1
	P 24 60 40	60	120	Left	1
P 24 70 40	70	140	Left	1	

## ACCESSORIES - ROSES FOR WOODEN DOOR RIM LOCKS

	COD.		€
	<b>Steel square roses for fixed cylinder</b>		
	52 008 00 12 1	Nickel plated.	100
	52 008 00 07 1	Bronzed.	100
	52 008 00 14 1	Brassed.	100
	<b>Brass square roses for fixed cylinder.</b>		
	52 009 00 00 1	Natural.	100
	52 009 00 12 1	Nickel plated.	100