



SECURITY RIM LOCKS GENERAL SPECIFICATION

PRODUCT RANGE

RIM LOCKS FOR GATES AND IRON DOORS:

SECURITY FEATURES

- Fixed outside cylinder.
- Right or left hand.
- Latch and double or triple throw deadbolt.
- Latch and triple throw deadbolt with 6 or 8 mm. spindle hole.
- Accessories available.
- Locks can be supplied keyed alike KA.
- Suitable for replacing many models of rim locks.

MATERIAL SPECIFICATION

- Outside cylinders with 5 pin tumbler mechanism (2 picking resistant) with thousands of different combinations preset and bit by computer system equipments. 50.000 cycle durability.
- Paracentric keyway.

FINISHES

- Steel case and staple.
- Extruded solid brass cylinder body and plug.
- Inox steel cylinder springs.
- Brass strip for keys.

PACKING

- Zinked case and staple.

GUARANTEE

- Singly boxed. Supplied with fixing screws.

- All our locks are covered by a 5 year mechanical guarantee.

RIM LOCKS FOR GATES AND IRON DOORS

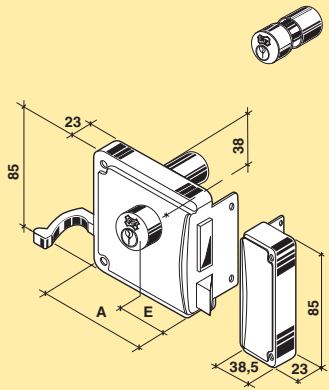


GENERAL SPECIFICATION

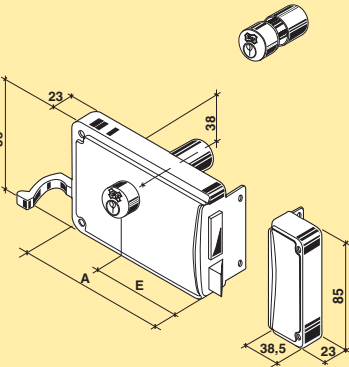
Double cylinder: inside fixed / outside fixed with 5 pin tumbler mechanism (2 picking resistant).
50 mm. fixed cylinder standard length.

Zinc plated.
Supplied with staple.
3 nickel plated brass keys.

COD.	E	A		€
LATCHBOLT AND DOUBLE THROW DEADBOLT				
FIXED OUTSIDE CYLINDER				
P 27 50 10	50	100	Right	1
P 27 60 10	60	120	Right	1
P 27 70 10	70	140	Right	1
P 27 50 30	50	100	Left	1
P 27 60 30	60	120	Left	1
P 27 70 30	70	140	Left	1



COD.	E	A		€
LATCHBOLT AND TRIPLE THROW DEADBOLT				
FIXED OUTSIDE CYLINDER				
P 37 60 10	60	120	Right	1
P 37 70 10	70	140	Right	1
P 37 60 30	60	120	Left	1
P 37 70 30	70	140	Left	1





RIM LOCKS FOR GATES AND IRON DOORS

GENERAL SPECIFICATION

Double cylinder: inside fixed / outside fixed with 5 pin tumbler mechanism (2 picking resistant).
50 mm. fixed cylinder standard length.

Zinc plated.
Supplied with staple.
3 nickel plated brass keys.

	COD.	E	A		€
	LATCHBOLT AND TRIPLE THROW DEADBOLT. 8 mm. SPINDLE HOLE				
	FIXED OUTSIDE CYLINDER				
	P 38 60 10	60	140	Right	2
	P 38 60 30	60	140	Left	2

	COD.	E	A		€
	LATCHBOLT AND TRIPLE THROW DEADBOLT. 6 mm. SPINDLE HOLE				
	FIXED OUTSIDE CYLINDER				
	P 36 60 10	60	140	Right	2
	P 36 60 30	60	140	Left	2

ACCESSORIES - ROSES FOR GATES AND IRON DOORS

	COD.		€
	Steel square roses for fixed cylinder		
	52 008 00 12 1	Nickel plated.	100
	52 008 00 07 1	Bronzed.	100
	52 008 00 14 1	Brassed.	100
	Brass square roses for fixed cylinder		
	52 009 00 00 1	Natural.	100
52 009 00 12 1	Nickel plated.	100	