



# SECURITY NIGHTLATCH RIM LOCKS GENERAL SPECIFICATION

## PRODUCT RANGE

## NIGHTLATCH RIM LOCKS FOR WOODEN DOORS:

<b>SECURITY FEATURES</b>	<ul style="list-style-type: none"><li>• Fixed or loose outside cylinder.</li><li>• Right hand.</li><li>• 4 or 6 or 8 throw deadbolt.</li><li>• 5 or 7 throw deadbolt with built-in latchbolt.</li><li>• 6 throw deadbolt and separated latchbolt.</li><li>• 4 or 6 throw deadbolt without accessories.</li><li>• Accessories available.</li><li>• Locks can be supplied keyed alike KA.</li><li>• Suitable for replacing many models of rim locks.</li></ul>
<b>MATERIAL SPECIFICATION</b>	<ul style="list-style-type: none"><li>• Outside cylinders with 5 pin tumbler mechanism (2 picking resistant) with thousands of different combinations preset and bit by computer system equipments. 50.000 cycle durability.</li><li>• Paracentric keyway.</li></ul>
<b>FINISHES</b>	<ul style="list-style-type: none"><li>• Steel case and staple.</li><li>• Extruded solid brass cylinder body and plug.</li><li>• Inox steel cylinder springs.</li><li>• Brass strip for keys.</li></ul>
<b>PACKING</b>	<ul style="list-style-type: none"><li>• Case and staple electrostatically coated by epoxidic powder suitable for outdoor fitting.</li></ul>
<b>GUARANTEE</b>	<ul style="list-style-type: none"><li>• Singly or paired boxed. Supplied with staple and fixing screws except industrial supply.</li></ul>
	<ul style="list-style-type: none"><li>• All our locks are covered by a 5 year mechanical guarantee.</li></ul>

# NIGHTLATCH RIM LOCKS FOR WOODEN DOORS



## GENERAL SPECIFICATION

Inside snib. Outside fixed or loose cylinder with 5 pin tumbler mechanism (2 picking resistant). 50mm. fixed cylinder standard length.

Electrostatically coated by hazel colour epoxidic powder. Supplied with staple, escutcheon and fixing screws. 3 nickel plated brass keys.

	COD.	E	A		€	
	<b>FOUR THROW DEADBOLT ONLY</b>					
	<b>FIXED OUTSIDE CYLINDER</b>					
	P 40 40 10	40	185	Right	2	
	P 40 50 10	50	185	Right	2	
	P 40 60 10	60	185	Right	2	
	P 40 70 10	70	185	Right	2	
	<b>LOOSE OUTSIDE CYLINDER</b>					
	P 40 40 20	40	185	Right	1	
	P 40 50 20	50	185	Right	1	
	P 40 60 20	60	185	Right	1	
	P 40 70 20	70	185	Right	1	

	COD.	E	A		€	
	<b>SIX THROW DEADBOLT ONLY</b>					
	<b>FIXED OUTSIDE CYLINDER</b>					
	P 60 40 10	40	209	Right	2	
	P 60 50 10	50	209	Right	2	
	P 60 60 10	60	209	Right	2	
	P 60 70 10	70	209	Right	2	
	<b>LOOSE OUTSIDE CYLINDER</b>					
	P 60 40 20	40	209	Right	1	
	P 60 50 20	50	209	Right	1	
	P 60 60 20	60	209	Right	1	
	P 60 70 20	70	209	Right	1	

	COD.	E	A		€	
	<b>EIGHT THROW DEADBOLT ONLY</b>					
	<b>FIXED OUTSIDE CYLINDER</b>					
	P 80 40 10	40	233	Right	2	
	P 80 50 10	50	233	Right	2	
	P 80 60 10	60	233	Right	2	
	P 80 70 10	70	233	Right	2	
	<b>LOOSE OUTSIDE CYLINDER</b>					
	P 80 40 20	40	233	Right	1	
	P 80 50 20	50	233	Right	1	
	P 80 60 20	60	233	Right	1	
	P 80 70 20	70	233	Right	1	

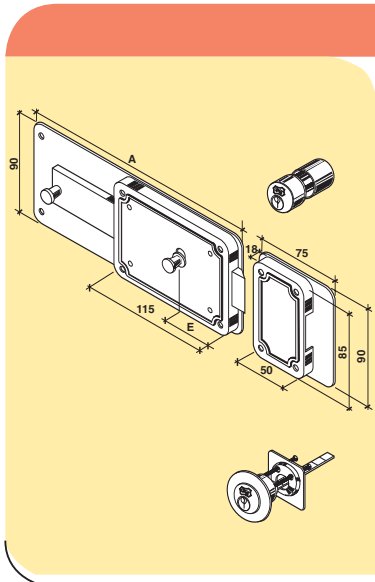


# NIGHTLATCH RIM LOCKS FOR WOODEN DOORS

## GENERAL SPECIFICATION

Inside snib. Outside fixed or loose cylinder with 5 pin tumbler mechanism (2 picking resistant). 50mm. fixed cylinder standard length.

Electrostatically coated by hazel colour epoxidic powder. Supplied with staple, escutcheon and fixing screws. 3 nickel plated brass keys.



**COD.**

**E**

**A**



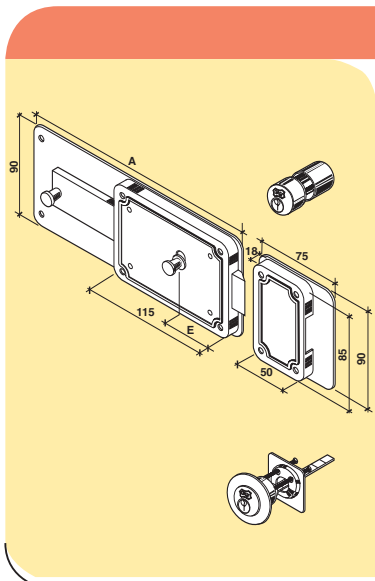
### FIVE THROW DEADBOLT WITH BUILT-IN LATCHBOLT

#### FIXED OUTSIDE CYLINDER

P 50 40 10	40	209	Right	2
P 50 50 10	50	209	Right	2
P 50 60 10	60	209	Right	2
P 50 70 10	70	209	Right	2

#### LOOSE OUTSIDE CYLINDER

P 50 40 20	40	209	Right	1
P 50 50 20	50	209	Right	1
P 50 60 20	60	209	Right	1
P 50 70 20	70	209	Right	1



**COD.**

**E**

**A**



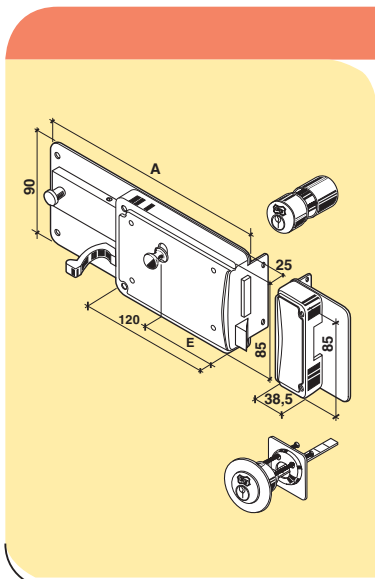
### SEVEN THROW DEADBOLT WITH BUILT-IN LATCHBOLT

#### FIXED OUTSIDE CYLINDER

P 70 40 10	40	233	Right	2
P 70 50 10	50	233	Right	2
P 70 60 10	60	233	Right	2
P 70 70 10	70	233	Right	2

#### LOOSE OUTSIDE CYLINDER

P 70 40 20	40	233	Right	1
P 70 50 20	50	233	Right	1
P 70 60 20	60	233	Right	1
P 70 70 20	70	233	Right	1



**COD.**

**E**

**A**



### SIX THROW DEADBOLT WITH SEPARATED LATCHBOLT

#### FIXED OUTSIDE CYLINDER

P 65 50 10	50	209	Right	2
P 65 60 10	60	209	Right	2

#### LOOSE OUTSIDE CYLINDER

P 65 50 20	50	209	Right	1
P 65 60 20	60	209	Right	1

# NIGHTLATCH RIM LOCKS FOR WOODEN DOORS



## GENERAL SPECIFICATION

### INDUSTRIAL SUPPLY:

- supplied without staple, rose and fixing screws.
- packed into plastic bag and carton holding 25 pieces.

**Inside snib.** Outside fixed or loose cylinder with 5 pin tumbler mechanism (2 picking resistant). 50mm. fixed cylinder standard length. Electrostatically coated by hazel colour epoxidic powder. 3 nickel plated brass keys.

	COD.	E	A		€
	<b>FOUR THROW DEADBOLT ONLY</b>				
	<b>FIXED OUTSIDE CYLINDER</b>				
	P 41 50 10	50	185	Right	25
	P 41 60 10	60	185	Right	25
	<b>LOOSE OUTSIDE CYLINDER</b>				
	P 41 50 20	50	185	Right	25
P 41 60 20	60	185	Right	25	

	COD.	E	A		€
	<b>SIX THROW DEADBOLT ONLY</b>				
	<b>FIXED OUTSIDE CYLINDER</b>				
	P 61 50 10	50	209	Right	25
	P 61 60 10	60	209	Right	25
	<b>LOOSE OUTSIDE CYLINDER</b>				
	P 61 50 20	50	209	Right	25
P 61 60 20	60	209	Right	25	

## ACCESSORIES - ROSES FOR WOODEN DOOR RIM LOCKS

	COD.			€
	<b>Steel square roses for fixed cylinder</b>			
	52 008 00 12 1	Nickel plated.	100	
	52 008 00 07 1	Bronzed.	100	
	52 008 00 14 1	Brassed.	100	
	<b>Brass square roses for fixed cylinder</b>			
	52 009 00 00 1	Natural	100	
52 009 00 12 1	Nickel plated.	100		