



# SECURITY MORTICE LOCKS GENERAL SPECIFICATION

## PRODUCT RANGE

## MORTICE LOCKS FOR WOODEN DOORS:

### OPEN OR CLOSED CASE

- Many backset sizes.
- Several spacings and spindle holes.
- Single or triple deadbolts with one or two throws.
- Straight or beveled reversible latchbolts operated either by key or by handle. Beveled latch to enable soft closing and to prevent door from slamming.
- Adjustable roller.
- Square or rounded edges.
- Special cylinder mortice lock with triple deadbolts.
- Lever mortice lock with long key for inside doors.
- Double spindle hole for bathroom doors.
- Large range of cylinders with various features and in different sizes (see cylinder index).
- Large range of strikes available.
- Locks can be supplied:  
keyed alike(KA) or masterized (MK-GMK).
- Suitable for replacing many models of mortice locks.

## SECURITY FEATURES

- Euro profile double cylinders conforming to EN 1303 - security grade 3 - 16-0-13 classification European Standard with 5 pin tumbler key mechanism (2 picking resistant).
- Euro profile double cylinders with 6 pin tumbler key mechanism (first pin in hardened steel and 2 picking resistant) with molybdenum hardened inserts on both sides to protect plug and body.
- Paracentric keyway.
- Various degree cams to prevent forcing.
- Case with 38 mm. centered holes to fix security escutcheon.

## MATERIAL SPECIFICATION

- Steel case.
- Steel, brass or inox steel forend and strike.
- Brass or sinterized metal latchbolts and deadbolts.
- Extruded solid brass cylinder body and plug.
- Inox steel cylinder springs.
- Brass strip for keys.

## FINISHES

- Case electrostatically coated by epoxidic powder. Forends and strikes in natural brass, mirror polished brass, brass plated steel, yellow bichromate steel, bronzed steel, painted steel or inox steel.

## PACKING

- Singly boxed complete with cylinder, strike and fixing screws.

## GUARANTEE

- All our locks are covered by a 5 year mechanical guarantee.



# MORTICE LOCKS FOR WOODEN DOORS

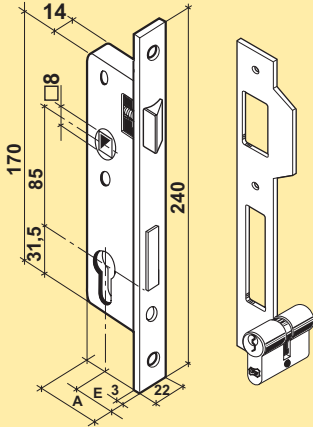
## CLOSED CASE -SUPPLIED WITH CYLINDER-

### GENERAL SPECIFICATION

Square corners and reversible straight edge latchbolt operated by key. **One throw deadbolt** with 15 mm. projection. Euro profile double cylinder conforming to EN 1303 - security grade 3 - 16-0-13 classification European Standard, 27x31=58 mm. size with 5 pin tumbler key

mechanism (2 picking resistant). Sanded brass cylinder. Black colour painted case and cover. **Brass plated steel** forend. Yellow bichromate steel flat strike. Supplied with fixing screws. 3 nickel plated brass keys.

**85 mm. SPACING**  
**8 mm. SPINDLE HOLE**



**COD.**

**E**

**A**



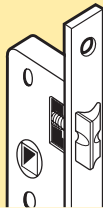
**€**

I 15 20 10*	21	36	1
I 15 25 10	25	40	1
I 15 30 10	30	45	1
I 15 35 10	35	50	1

#### SPECIAL FINISHES

I 15 __ 20	Nickel plated forend, strike and cylinder.
I 15 __ 30	Bronzed forend and strike. Sanded brass cylinder.

\* 27x27=54 cylinder size



I 15 \_\_ 11 **SQUARE CORNERS AND BEVELED LATCHBOLT**

#### SPECIAL FINISHES

I 15 __ 21	Nickel plated forend, strike and cylinder.
I 15 __ 31	Bronzed forend and strike. Sanded brass cylinder.

**COD.**

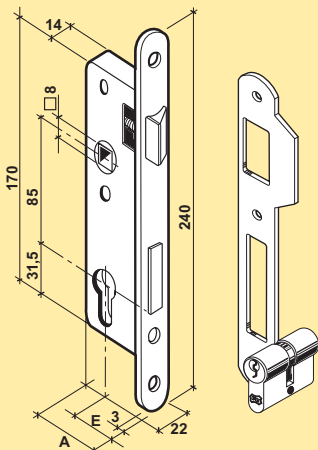
**E**

**A**



**€**

#### ROUNDED CORNERS AND STRAIGHT LATCHBOLT

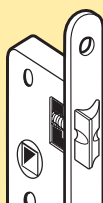


I 25 20 10*	21	36	1
I 25 25 10	25	40	1
I 25 30 10	30	45	1
I 25 35 10	35	50	1

#### SPECIAL FINISHES

I 25 __ 20	Nickel plated forend, strike and cylinder.
I 25 __ 30	Bronzed forend and strike. Sanded brass cylinder.

\* 27x27=54 cylinder size



I 25 \_\_ 11 **ROUNDED CORNERS AND BEVELED LATCHBOLT**

#### SPECIAL FINISHES

I 25 __ 21	Nickel plated forend, strike and cylinder.
I 25 __ 31	Bronzed forend and strike. Sanded brass cylinder.

# MORTICE LOCKS FOR WOODEN DOORS

## CLOSED CASE -SUPPLIED WITH CYLINDER-



### GENERAL SPECIFICATION

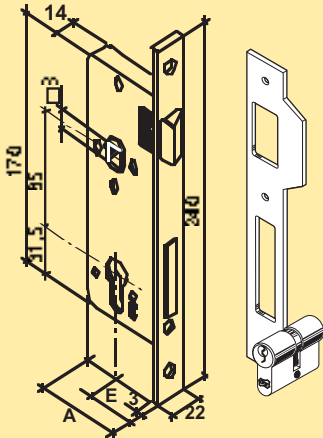
Square corners and reversible straight edge latchbolt operated by key. Double throw deadbolt.

Euro profile double cylinder conforming to EN 1303  
- security grade 3 - 16-0-13 classification European Standard, 27x31=58 mm. size with 5 pin tumbler key

mechanism (2 picking resistant). Sanded brass cylinder. Black colour painted case and cover.

**Brass plated steel** forend. Yellow bichromate steel flat strike. Supplied with fixing screws.  
3 nickel plated brass keys.

**85 mm. SPACING**  
**8 mm. SPINDLE HOLE**



COD.	E	A		€
I 15 36 10	35	62	1	
I 15 40 10	40	67	1	
I 15 45 10	45	72	1	
I 15 50 10	50	77	1	
I 15 60 10	60	87	1	
I 15 70 10	70	97	1	

#### SPECIAL FINISHES

- I 15 \_\_ 20 Nickel plated forend, strike and cylinder.
- I 15 \_\_ 30 Bronzed forend and strike.  
Sanded brass cylinder.



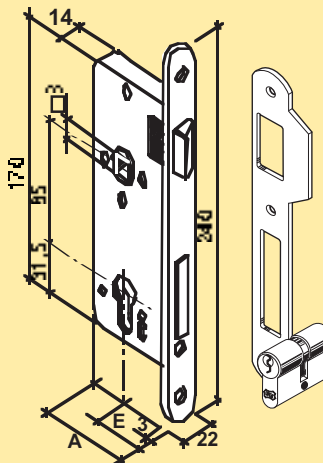
I 15 \_\_ 11 **SQUARE CORNERS AND BEVELED LATCHBOLT**

#### SPECIAL FINISHES

- I 15 \_\_ 21 Nickel plated forend, strike and cylinder.
- I 15 \_\_ 31 Bronzed forend and strike.  
Sanded brass cylinder.

COD.	E	A		€
------	---	---	--	---

#### ROUNDED CORNERS AND STRAIGHT LATCHBOLT



I 25 36 10	35	62	1	
I 25 40 10	40	67	1	
I 25 45 10	45	72	1	
I 25 50 10	50	77	1	
I 25 60 10	60	87	1	
I 25 70 10	70	97	1	

#### SPECIAL FINISHES

- I 25 \_\_ 20 Nickel plated forend, strike and cylinder.
- I 25 \_\_ 30 Bronzed forend and strike.  
Sanded brass cylinder.



I 25 \_\_ 11 **ROUNDED CORNERS AND BEVELED LATCHBOLT**

#### SPECIAL FINISHES

- I 25 \_\_ 21 Nickel plated forend, strike and cylinder.
- I 25 \_\_ 31 Bronzed forend and strike.  
Sanded brass cylinder.

# MORTICE LOCKS FOR WOODEN DOORS

## CLOSED CASE -SUPPLIED WITH CYLINDER-

### GENERAL SPECIFICATION

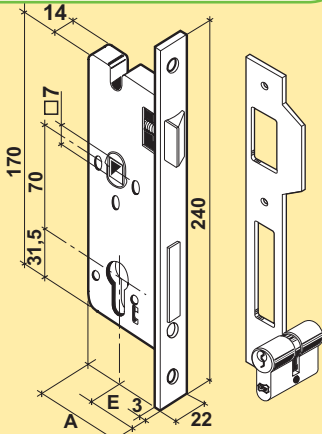
Square corners and reversible straight edge latchbolt operated by key. Double throw deadbolt.

Euro profile double cylinder conforming to EN 1303 - security grade 3 - 16-0-13 classification European Standard, 27x31=58 mm. size with 5 pin tumbler key

mechanism (2 picking resistant). Sanded brass cylinder. Black colour painted case and cover.

**Brass plated steel** forend. Yellow bichromate steel flat strike. Supplied with fixing screws. 3 nickel plated brass keys.

**70 mm. SPACING**  
**7 mm. SPINDLE HOLE**



**COD.**

**E**

**A**

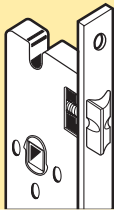


**€**

I 17 36 10	35	62	1
I 17 40 10	40	67	1
I 17 45 10	45	72	1
I 17 50 10	50	77	1
I 17 60 10	60	87	1
I 17 70 10	70	97	1

### SPECIAL FINISHES

I 17 __ 20	Nickel plated forend, strike and cylinder.
I 17 __ 30	Bronzed forend and strike. Sanded brass cylinder.



I 17 \_\_ 11 **SQUARE CORNERS AND BEVELED LATCHBOLT**

### SPECIAL FINISHES

I 17 __ 21	Nickel plated forend, strike and cylinder.
I 17 __ 31	Bronzed forend and strike. Sanded brass cylinder.

**COD.**

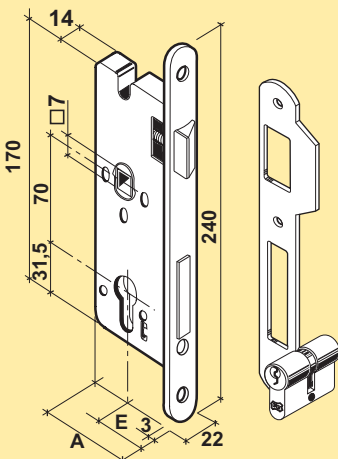
**E**

**A**



**€**

### ROUNDED CORNERS AND STRAIGHT LATCHBOLT



I 27 36 10	35	62	1
I 27 40 10	40	67	1
I 27 45 10	45	72	1
I 27 50 10	50	77	1
I 27 60 10	60	87	1
I 27 70 10	70	97	1

### SPECIAL FINISHES

I 27 __ 20	Nickel plated forend, strike and cylinder.
I 27 __ 30	Bronzed forend and strike. Sanded brass cylinder.



I 27 \_\_ 11 **ROUNDED CORNERS AND BEVELED LATCHBOLT**

### SPECIAL FINISHES

I 27 __ 21	Nickel plated forend, strike and cylinder.
I 27 __ 31	Bronzed forend and strike. Sanded brass cylinder.

# MORTICE LOCKS FOR WOODEN DOORS

## CLOSED CASE -SUPPLIED WITH CYLINDER-



### GENERAL SPECIFICATION

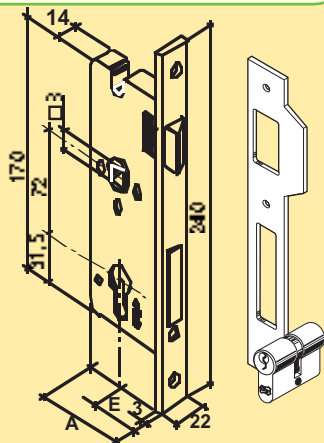
Square corners and reversible straight edge latchbolt operated by key. Double throw deadbolt.

Euro profile double cylinder conforming to EN 1303  
- security grade 3 - 16-0-13 classification European Standard, 27x31=58 mm. size with 5 pin tumbler key

mechanism (2 picking resistant). Sanded brass cylinder. Black colour painted case and cover.

**Brass plated steel** forend. Yellow bichromate steel flat strike. Supplied with fixing screws.  
3 nickel plated brass keys.

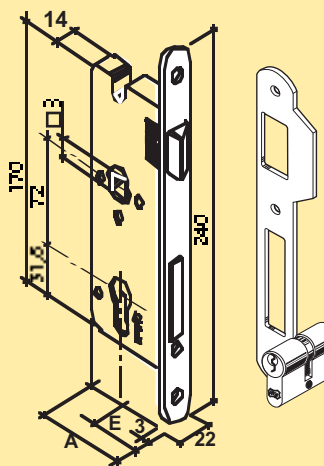
**72 mm. SPACING**  
**8 mm. SPINDLE HOLE**



COD.	E	A		€
I 18 36 10	35	62	1	
I 18 40 10	40	67	1	
I 18 45 10	45	72	1	
I 18 50 10	50	77	1	
I 18 60 10	60	87	1	
I 18 70 10	70	97	1	

#### SPECIAL FINISHES

I 18 __ 20	Nickel plated forend, strike and cylinder.
I 18 __ 30	Bronzed forend and strike. Sanded brass cylinder.



COD.	E	A		€
<b>ROUNDED CORNERS AND STRAIGHT LATCHBOLT</b>				
I 28 36 10	35	62	1	
I 28 40 10	40	67	1	
I 28 45 10	45	72	1	
I 28 50 10	50	77	1	
I 28 60 10	60	87	1	
I 28 70 10	70	97	1	

#### SPECIAL FINISHES

I 28 __ 20	Nickel plated forend, strike and cylinder.
I 28 __ 30	Bronzed forend and strike. Sanded brass cylinder.

# MORTICE LOCKS FOR WOODEN DOORS

## CLOSED CASE -SUPPLIED WITH CYLINDER-

### GENERAL SPECIFICATION

**Square corners and adjustable roller.**

**One throw deadbolt.** 15 mm. deadbolt projection.  
Euro profile double cylinder conforming to EN 1303  
- security grade 3 - 16-0-13 classification European  
Standard, 27x31=58 mm. size with 5 pin tumbler key

mechanism (2 picking resistant).

Sanded brass cylinder. Black colour painted case and cover.

**Brass plated steel** forend. Yellow bichromate steel flat strike.

Supplied with fixing screws.

3 nickel plated brass keys.

	COD.	E	A		€
	I 16 20 10*	21	36	1	
	I 16 25 10	25	40	1	
	I 16 30 10	30	45	1	
	I 16 35 10	35	50	1	
	<b>SPECIAL FINISHES</b>				
	I 16 __ 20	Nickel plated forend, strike and cylinder.			
	I 16 __ 30	Bronzed forend and strike. Sanded brass cylinder.			
	*27x27=54 cylinder size				

	I 26 __ 10	<b>ROUNDED CORNERS</b>			
	<b>SPECIAL FINISHES</b>				
	I 26 __ 20	Nickel plated forend, strike and cylinder.			
	I 26 __ 30	Bronzed forend and strike. Sanded brass cylinder.			

**Square corners and adjustable roller.**

**Double throw deadbolt.**

Euro profile double cylinder conforming to EN 1303 -  
security grade 3 - 16-0-13 classification European  
Standard, 27x31=58 mm. size with 5 pin tumbler key

mechanism (2 picking resistant).

Sanded brass cylinder. Black colour painted case and cover.

**Brass plated steel** forend. Yellow bichromate steel flat strike.

Supplied with fixing screws.

3 nickel plated brass keys.

	COD.	E	A		€
	I 16 36 10	35	62	1	
	I 16 40 10	40	67	1	
	I 16 45 10	45	72	1	
	I 16 50 10	50	77	1	
	I 16 60 10	60	87	1	
	I 16 70 10	70	97	1	
	<b>SPECIAL FINISHES</b>				
	I 16 __ 20	Nickel plated forend, strike and cylinder.			
	I 16 __ 30	Bronzed forend and strike. Sanded brass cylinder.			

	I 26 __ 10	<b>ROUNDED CORNERS</b>			
	<b>SPECIAL FINISHES</b>				
	I 26 __ 20	Nickel plated forend, strike and cylinder.			
	I 26 __ 30	Bronzed forend and strike. Sanded brass cylinder.			

# MORTICE LOCKS FOR TOILET DOORS

## CLOSED CASE -DOUBLE SPINDLE HOLES-

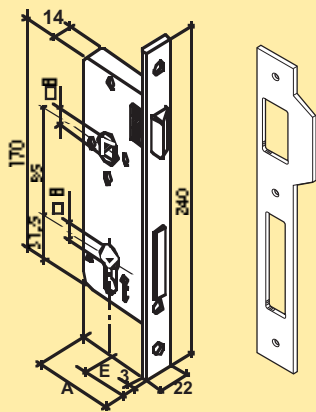


### GENERAL SPECIFICATION

Square corners and straight edge reversible latchbolt operated by handle. Double throw deadbolt operated by thumbturn. Black colour painted case and cover.

Brass plated steel forend.  
Yellow bichromate steel flat strike.  
Supplied with fixing screws.

**85 mm. SPACING**  
**8 mm. SPINDLE HOLES**



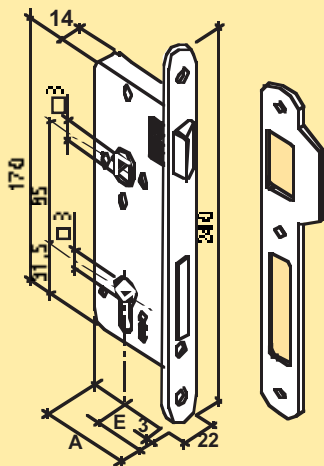
COD.	E	A		€
I 13 40 10	40	67	1	
I 13 45 10	45	72	1	
I 13 50 10	50	77	1	
I 13 60 10	60	87	1	
I 13 70 10	70	97	1	

#### SPECIAL FINISHES

- I 13 \_\_ 20 Nickel plated forend and strike.
- I 13 \_\_ 30 Bronzed forend and strike.

COD.	E	A		€
------	---	---	--	---

#### ROUNDED CORNERS AND STRAIGHT EDGE LATCHBOLT



I 23 40 10	40	67	1	
I 23 45 10	45	72	1	
I 23 50 10	50	77	1	
I 23 60 10	60	87	1	
I 23 70 10	70	97	1	

#### SPECIAL FINISHES

- I 23 \_\_ 20 Nickel plated forend and strike.
- I 23 \_\_ 30 Bronzed forend and strike.



# MORTICE LOCKS FOR WOODEN DOORS

## CLOSED CASE -SUPPLIED WITH CYLINDER-

### GENERAL SPECIFICATION

Square corners and reversible straight edge latchbolt operated by key. **Double throw deadbolt.**

Euro profile double cylinder conforming to EN 1303 - security grade 3 - 16-0-13 classification European Standard, 27x31=58 mm. size with 5 pin tumbler key mechanism (2 picking resistant).

Dull nickel plated cylinder. Black colour painted case and cover.

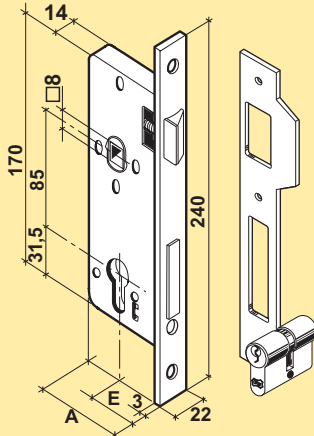
**Inox steel** forend.

**Inox steel flat** strike.

Supplied with **inox** fixing screws.

3 nickel plated brass keys.

**85 mm. SPACING**  
**8 mm. SPINDLE HOLE**



COD.	E	A		€
I 50 36 10	35	62	1	
I 50 40 10	40	67	1	
I 50 45 10	45	72	1	
I 50 50 10	50	77	1	
I 50 60 10	60	87	1	
I 50 70 10	70	97	1	

# MORTICE LOCKS FOR WOODEN DOORS

## CLOSED CASE -SUPPLIED WITH CYLINDER-



### GENERAL SPECIFICATION

Square corners and reversible straight edge latchbolt operated by key. **Double throw deadbolt.**

Euro profile double cylinder conforming to EN 1303  
- security grade 3 - 16-0-13 classification European Standard, 27x31=58 mm. size with 5 pin tumbler key

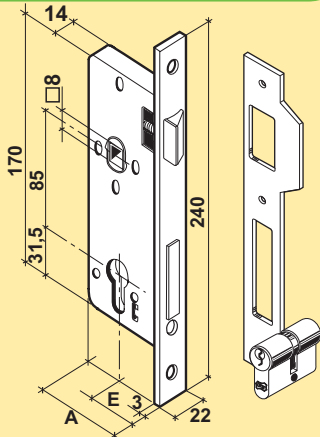
mechanism (2 picking resistant).

Sanded brass cylinder. Black colour painted case and cover.

**Heavy mirror polished brass** forend.

**Light natural brass flat** strike. Supplied with fixing screws.  
3 nickel plated brass keys.

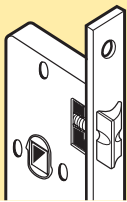
**85 mm. SPACING**  
**8 mm. SPINDLE HOLE**



COD.	E	A		€
I 35 36 10	35	62	1	
I 35 40 10	40	67	1	
I 35 45 10	45	72	1	
I 35 50 10	50	77	1	
I 35 60 10	60	87	1	
I 35 70 10	70	97	1	

#### SPECIAL FINISHES

- I 35 \_\_ 20 Nickel plated forend, strike and cylinder.
- I 35 \_\_ 40 Chrome plated forend and strike.  
Nickel plated cylinder.



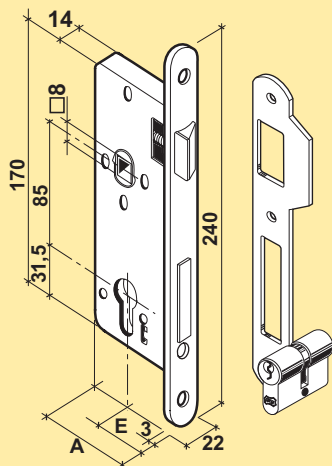
I 35 \_\_ 11 **SQUARE CORNERS AND BEVELED LATCHBOLT**

#### SPECIAL FINISHES

- I 35 \_\_ 21 Nickel plated forend, strike and cylinder.
- I 35 \_\_ 41 Chrome plated forend and strike.  
Nickel plated cylinder.

COD.	E	A		€
------	---	---	--	---

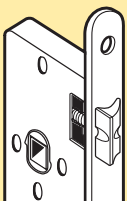
#### ROUNDED CORNERS AND STRAIGHT LATCHBOLT



I 45 36 10	35	62	1	
I 45 40 10	40	67	1	
I 45 45 10	45	72	1	
I 45 50 10	50	77	1	
I 45 60 10	60	87	1	
I 45 70 10	70	97	1	

#### SPECIAL FINISHES

- I 45 \_\_ 20 Nickel plated forend, strike and cylinder.
- I 45 \_\_ 40 Chrome plated forend and strike.  
Nickel plated cylinder.



I 45 \_\_ 11 **ROUNDED CORNERS AND BEVELED LATCHBOLT**

#### SPECIAL FINISHES

- I 45 \_\_ 21 Nickel plated forend, strike and cylinder.
- I 45 \_\_ 41 Chrome plated forend and strike.  
Nickel plated cylinder.



# MORTICE LOCKS FOR WOODEN DOORS

## CLOSED CASE -SUPPLIED WITH CYLINDER-

### GENERAL SPECIFICATION

Square corners and reversible straight edge latchbolt operated by key. **Double throw deadbolt.**

Euro profile double cylinder conforming to EN 1303 - security grade 3 - 16-0-13 classification European Standard, 27x31=58 mm. size with 5 pin tumbler key

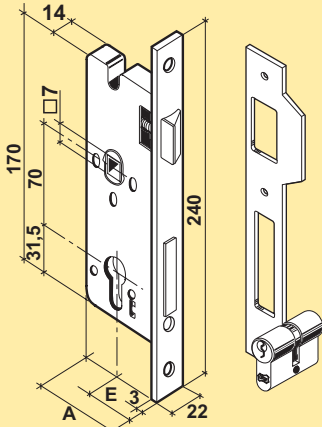
mechanism (2 picking resistant).

Sanded brass cylinder. Black colour painted case and cover.

**Heavy mirror polished brass** forend.

**Light natural brass flat strike.** Supplied with fixing screws. 3 nickel plated brass keys.

**70 mm. SPACING**  
**7 mm. SPINDLE HOLE**



**COD.**

**E**

**A**



**€**

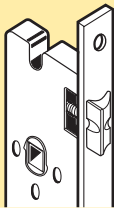
I 37 36 10	35	62	1
I 37 40 10	40	67	1
I 37 45 10	45	72	1
I 37 50 10	50	77	1
I 37 60 10	60	87	1
I 37 70 10	70	97	1

#### SPECIAL FINISHES

I 37 \_\_ 20 Nickel plated forend, strike and cylinder.

I 37 \_\_ 40 Chrome plated forend and strike.

Nickel plated cylinder.



I 37 \_\_ 11 **SQUARE CORNERS AND BEVELED LATCHBOLT**

#### SPECIAL FINISHES

I 37 \_\_ 21 Nickel plated forend, strike and cylinder.

I 37 \_\_ 41 Chrome plated forend and strike.

Nickel plated cylinder.

**COD.**

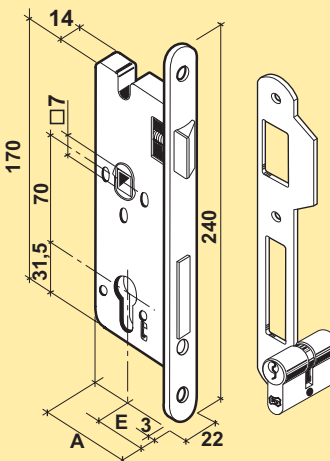
**E**

**A**



**€**

#### ROUNDED CORNERS AND STRAIGHT LATCHBOLT



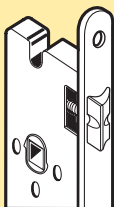
I 47 36 10	35	62	1
I 47 40 10	40	67	1
I 47 45 10	45	72	1
I 47 50 10	50	77	1
I 47 60 10	60	87	1
I 47 70 10	70	97	1

#### SPECIAL FINISHES

I 47 \_\_ 20 Nickel plated forend, strike and cylinder.

I 47 \_\_ 40 Chrome plated forend and strike.

Nickel plated cylinder.



I 47 \_\_ 11 **ROUNDED CORNERS AND BEVELED LATCHBOLT**

#### SPECIAL FINISHES

I 47 \_\_ 21 Nickel plated forend, strike and cylinder.

I 47 \_\_ 41 Chrome plated forend and strike.

Nickel plated cylinder.

# MORTICE LOCKS FOR WOODEN DOORS

## CLOSED CASE -SUPPLIED WITH CYLINDER-



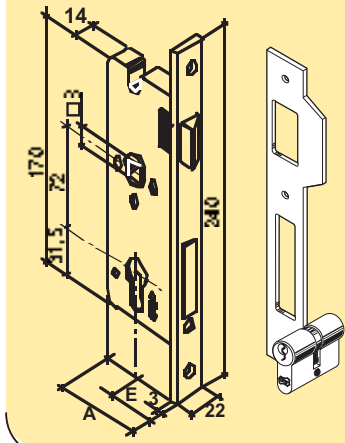
### GENERAL SPECIFICATION

Square corners and reversible straight edge latchbolt operated by key. **Double throw deadbolt.**

Euro profile double cylinder conforming to EN 1303  
 - security grade 3 - 16-0-13 classification European Standard, 27x31=58 mm. size with 5 pin tumbler key

mechanism (2 picking resistant).  
 Sanded brass cylinder. Black colour painted case and cover.  
**Heavy mirror polished brass** forend.  
**Light natural brass flat strike.** Supplied with fixing screws.  
 3 nickel plated brass keys.

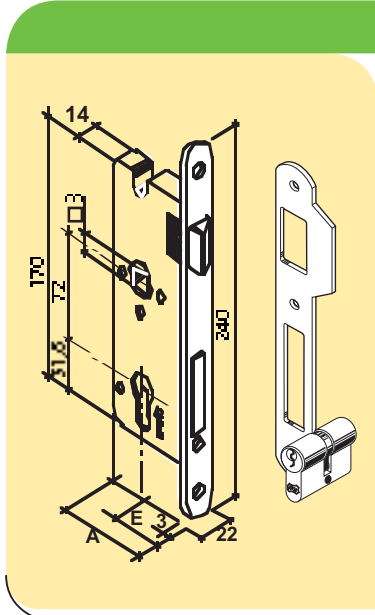
**72 mm. SPACING**  
**8 mm. SPINDLE HOLE**



COD.	E	A		€
I 38 36 10	35	62	1	
I 38 40 10	40	67	1	
I 38 45 10	45	72	1	
I 38 50 10	50	77	1	
I 38 60 10	60	87	1	
I 38 70 10	70	97	1	

#### SPECIAL FINISHES

- I 38 \_\_ 20 Nickel plated forend, strike and cylinder.
- I 38 \_\_ 40 Chrome plated forend and strike.  
 Nickel plated cylinder.



COD.	E	A		€
<b>ROUNDED CORNERS AND STRAIGHT LATCHBOLT</b>				
I 48 36 10	35	62	1	
I 48 40 10	40	67	1	
I 48 45 10	45	72	1	
I 48 50 10	50	77	1	
I 48 60 10	60	87	1	
I 48 70 10	70	97	1	

#### SPECIAL FINISHES

- I 48 \_\_ 20 Nickel plated forend, strike and cylinder.
- I 48 \_\_ 40 Chrome plated forend and strike.  
 Nickel plated cylinder.

# MORTICE LOCKS FOR WOODEN DOORS

## CLOSED CASE -SUPPLIED WITH CYLINDER-

### GENERAL SPECIFICATION

Square corners and adjustable roller.

Double throw deadbolt.

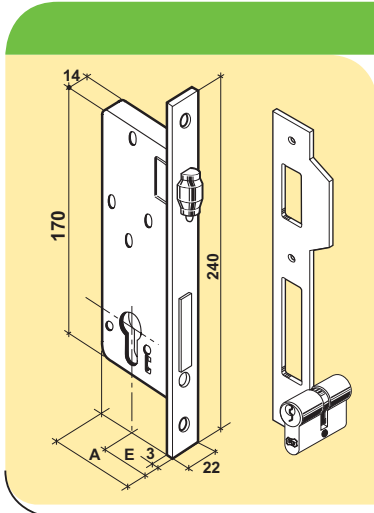
Euro profile double cylinder conforming to EN 1303  
 - security grade 3 - 16-0-13 classification European  
 Standard, 27x31=58 mm. size with 5 pin tumbler key

mechanism (2 picking resistant).

Sanded brass cylinder. Black colour painted case and cover.

**Heavy mirror polished brass** forend.

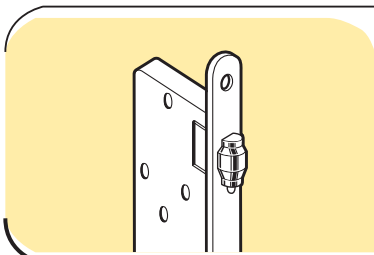
**Light natural brass flat strike.** Supplied with fixing screws.  
 3 nickel plated brass keys.



COD.	E	A		€
I 36 36 10	35	62	1	
I 36 40 10	40	67	1	
I 36 45 10	45	72	1	
I 36 50 10	50	77	1	
I 36 60 10	60	87	1	
I 36 70 10	70	97	1	

#### SPECIAL FINISHES

- I 36 \_\_ 20 Nickel plated forend, strike and cylinder
- I 36 \_\_ 40 Chrome plated forend and strike.  
Nickel plated cylinder.



I 46 \_\_ 10 **ROUNDED CORNERS**

#### SPECIAL FINISHES

- I 46 \_\_ 20 Nickel plated forend, strike and cylinder.
- I 46 \_\_ 40 Chrome plated forend and strike.  
Nickel plated cylinder.

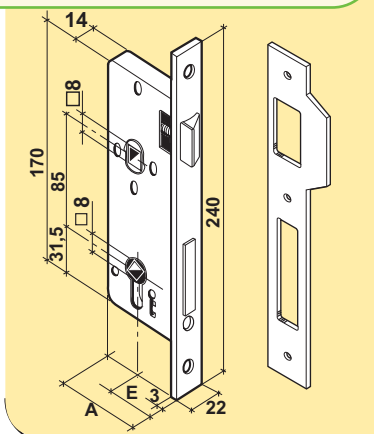
### MORTICE LOCKS FOR TOILET DOORS CLOSED CASE -DOUBLE SPINDLE HOLE- CYLINDER NOT SUPPLIED

Square corners and straight edge reversible latchbolt

operated by handle. **Double throw deadbolt** operated by thumbturn. Black colour painted case and cover.

**Heavy mirror polished brass** forend. **Light natural brass** flat strike. Supplied with fixing screws.

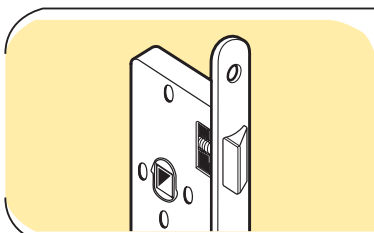
**85 mm. SPACING  
 8 mm. SPINDLE HOLES**



COD.	E	A		€
I 33 40 10	40	67	1	
I 33 45 10	45	72	1	
I 33 50 10	50	77	1	
I 33 60 10	60	87	1	
I 33 70 10	70	97	1	

#### SPECIAL FINISHES

- I 33 \_\_ 20 Nickel plated forend and strike.
- I 33 \_\_ 40 Chrome plated forend and strike.



I 43 \_\_ 10 **ROUNDED CORNERS AND STRAIGHT LATCHBOLT**

#### SPECIAL FINISHES

- I 43 \_\_ 20 Nickel plated forend and strike.
- I 43 \_\_ 40 Chrome plated forend and strike.