



SECURITY MORTICE LOCKS GENERAL SPECIFICATION

PRODUCT RANGE

MORTICE LOCKS FOR METAL FRAMES:

HORIZONTAL OR VERTICAL MODELS.

- Horizontal locks with closed case and oval cylinder.
- Electric horizontal lock.
- Vertical locks with open case and oval cylinder.
- Vertical locks with closed case and Euro profile cylinder.
- Vertical locks with closed case and cross-key cylinder.
- Many backsets and forend sizes.
- Single or double throw deadbolts.
- Hook bolt.
- Reversible straight edge latchbolts operated by handle or key.
- Adjustable roller.
- Available accessories.
- Large range of cylinders with various features and in different sizes (see cylinder index).
- Locks can be supplied: keyed alike (KA) or masterized (MK-GMK).
- Suitable for replacing many models of mortice locks.

STRIKES NOT INCLUDED. TO BE ORDERED SEPARATELY (SEE ACCESSORY INDEX).

SECURITY FEATURES

- Euro profile double cylinders conforming to EN 1303 - security grade 3- 16-0-13 classification European Standard with 5 pin tumbler key mechanism (2 picking resistant).
- Euro profile double cylinders with 6 pin tumbler key mechanism (first pin in hardened steel and 2 picking resistant) with molybdenum hardened inserts on both sides to protect plug and body.
- Oval cylinders with 5 pin tumbler key mechanism.
- Cross-key cylinders.
- Paracentric keyway.

MATERIAL SPECIFICATION

- Steel case, forend and strike.
- Brass or sinterized metal latchbolts and deadbolts.
- Extruded solid brass cylinder body and plug.
- Inox steel cylinder springs.
- Brass strip for keys.

FINISHES

- Horizontal models: zinc plated case and forend.
- Vertical models: zinc plated case. Nickel plated or zinc plated forend.

PACKING

- Singly boxed complete with cylinder.

GUARANTEE

- All our locks are covered by a 5 year mechanical guarantee.

MORTICE LOCKS FOR METAL FRAMES

CLOSED CASE -SUPPLIED WITH CYLINDER-



GENERAL SPECIFICATION

HORIZONTAL TYPE.

Double throw deadbolt.

Deadbolt with built-in reversible latchbolt operated by key.

Double oval cylinder 27x27=54 mm. size with 5 pin thumblers key mechanism.

8 mm. spindle hole.

Zinc plated case and forend.

3 nickel plated brass keys.

Strike not included. To be ordered separately.

COD.	F	E	L	B	A		€
44 mm. CASE HEIGHT							
A 41 70 00	14,5	70	167	160	67	1	
A 41 80 00	14,5	80	177	160	67	1	
A 41 60 10	16	60	133	140	46,5	1	
A 41 70 10	16	70	167	160	67	1	
A 41 80 10	16	80	177	160	67	1	
A 41 60 20	22	60	133	140	46,5	1	
A 41 70 20	22	70	167	160	67	1	
A 41 80 20	22	80	177	160	67	1	
SPECIAL FINISHES							
A 41 __ _ 2	Overcharge for nickel plated cylinder.						

COD.	F	E	L	B	A		€
64 mm. CASE HEIGHT							
A 61 60 10	16	60	133	140	46,5	1	
A 61 70 10	16	70	167	160	67	1	
A 61 80 10	16	80	177	160	67	1	
A 61 60 20	22	60	133	140	46,5	1	
A 61 70 20	22	70	167	160	67	1	
A 61 80 20	22	80	177	160	67	1	
SPECIAL FINISHES							
A 61 __ _ 2	Overcharge for nickel plated cylinder.						

COD.	F	E	L	B	A		€
84 mm. CASE HEIGHT							
A 81 60 10	16	60	133	160	46,5	1	
A 81 60 20	22	60	133	160	46,5	1	
SPECIAL FINISHES							
A 81 60 _ 2	Overcharge for nickel plated cylinder.						



MORTICE LOCKS FOR METAL FRAMES

CLOSED CASE -SUPPLIED WITH CYLINDER-

GENERAL SPECIFICATION

HORIZONTAL TYPE.

Double throw deadbolt.

Reversible independent latchbolt operated by key.

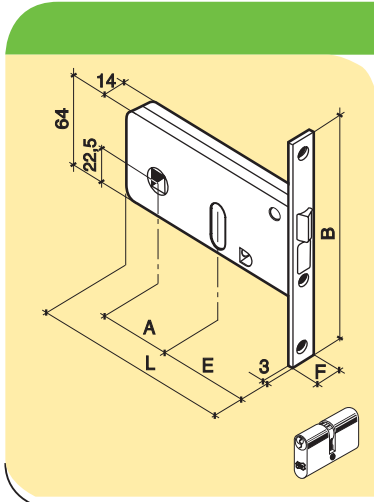
Double oval cylinder 27x27=54 mm. size with 5 pin thumbler key mechanism.

8 mm. spindle hole.

Zinc plated case and forend.

3 nickel plated brass keys.

Strike not included. To be ordered separately.



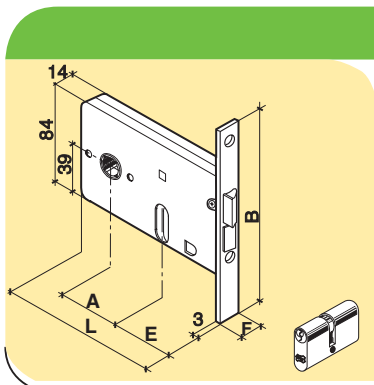
COD. **F** **E** **L** **B** **A**

64 mm. CASE HEIGHT

A 63 60 10	16	60	133	140	46,5	1
A 63 70 10	16	70	167	160	67	1
A 63 80 10	16	80	177	160	67	1
A 63 60 20	22	60	133	140	46,5	1
A 63 70 20	22	70	167	160	67	1
A 63 80 20	22	80	177	160	67	1

SPECIAL FINISHES

A 63 __ _2 Overcharge for nickel plated cylinder.



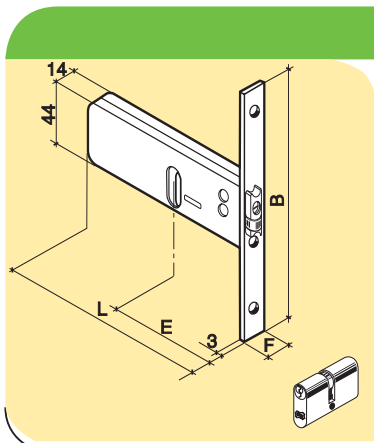
COD. **F** **E** **L** **B** **A**

84 mm. CASE HEIGHT

A 83 60 10	16	60	133	160	46,5	1
A 83 60 20	22	60	133	160	46,5	1

SPECIAL FINISHES

A 83 __ _2 Overcharge for nickel plated cylinder.



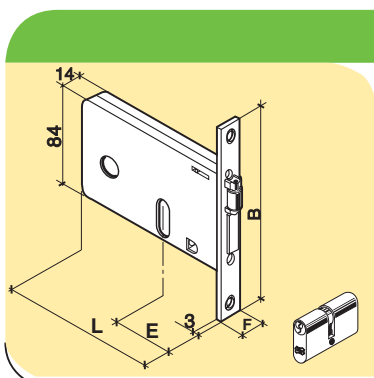
COD. **F** **E** **L** **B**

ADJUSTABLE ROLLER WITH DOUBLE BUILT-IN THROWS 44 mm. CASE HEIGHT

A 45 70 10	16	70	162	160		1
A 45 80 10	16	80	162	160		1
A 45 70 30	20	70	162	160		1
A 45 80 30	20	80	162	160		1

SPECIAL FINISHES

A 45 __ _2 Overcharge for nickel plated cylinder.



COD. **F** **E** **L** **B**

ADJUSTABLE ROLLER AND DOUBLE THROW DEADBOLT 84 mm. CASE HEIGHT

A 85 60 10	16	60	133	160		1
A 85 60 20	22	60	133	160		1

SPECIAL FINISHES

A 85 __ _2 Overcharge for nickel plated cylinder.

MORTICE LOCKS FOR METAL FRAMES

CLOSED CASE -SUPPLIED WITH CYLINDER-



GENERAL SPECIFICATION

HORIZONTAL TYPE -ELECTRIC LOCK-

Self locking latchbolt and loading piston both reversible.
 Double oval cylinder 27x27=54 mm. size with 5 pin thumbler key mechanism.

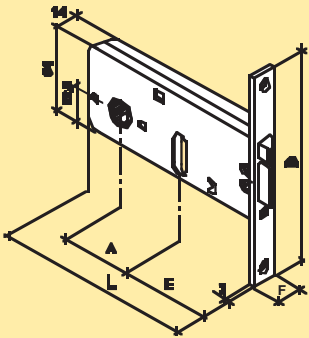
8 mm. spindle hole.

Zinc plated case and forend.

3 nickel plated brass keys.

Strike not included. To be ordered separately.

COD.	F	E	L	B	A		€
64 MM. CASE HEIGHT							
A 66 70 10	16	70	167	160	67	1	
A 66 80 10	16	80	177	160	67	1	
A 66 70 20	22	70	167	160	67	1	
A 66 80 20	22	80	177	160	67	1	
SPECIAL FINISHES							
A 66 _ _ _ 2	Overcharge for nickel plated cylinder.						





MORTICE LOCKS FOR METAL FRAMES

OPEN CASE -SUPPLIED WITH OVAL CYLINDER-

GENERAL SPECIFICATION

VERTICAL TYPE.

Reversible latchbolt operated by key.

One throw deadbolt.

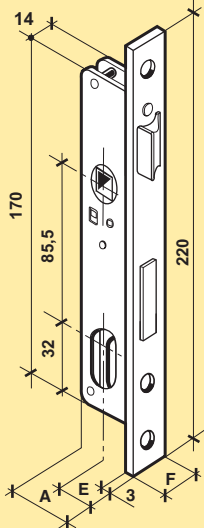
Double oval cylinder 27x27=54 mm.size with 5 pin tumbler key mechanism.

Zinc plated case. Nickel plated forend.

3 nickel plated brass keys.

Strike not included. To be ordered separately.

85,5 mm. SPACING
8 mm. SPINDLE HOLE



COD.	F	E	A		€
A 20 15 10	16	15	26	1	
A 20 20 10	16	20	31	1	
A 20 25 10	16	25	36	1	
A 20 30 10	16	30	41	1	
A 20 35 10	16	35	46	1	
A 20 15 30	20	15	26	1	
A 20 15 20	22	15	26	1	
A 20 20 20	22	20	31	1	
A 20 25 20	22	25	36	1	
A 20 30 20	22	30	41	1	
A 20 35 20	22	35	46	1	

SPECIAL FINISHES

A 20 _ _ _ 2

Overcharge for nickel plated cylinder.

Adjustable roller.

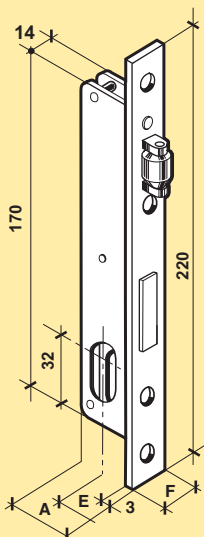
One throw deadbolt.

Double oval cylinder 27x27=54 mm.size with 5 pin tumbler key mechanism.

Zinc plated case. Nickel plated forend.

3 nickel plated brass keys.

Strike not included. To be ordered separately.



COD.	F	E	A		€
A 21 15 10	16	15	26	1	
A 21 20 10	16	20	31	1	
A 21 25 10	16	25	36	1	
A 21 30 10	16	30	41	1	
A 21 35 10	16	35	46	1	
A 21 15 30	20	15	26	1	
A 21 15 20	22	15	26	1	
A 21 20 20	22	20	31	1	
A 21 25 20	22	25	36	1	
A 21 30 20	22	30	41	1	
A 21 35 20	22	35	46	1	

SPECIAL FINISHES

A 21 _ _ _ 2

Overcharge for nickel plated cylinder.

MORTICE LOCKS FOR METAL FRAMES

OPEN CASE



GENERAL SPECIFICATION

VERTICAL TYPE.

One throw deadbolt only.

Double oval cylinder 27x27=54 mm.size with 5 pin tumbler key mechanism.

Zinc plated case. Nickel plated forend.

3 nickel plated brass keys.

Strike not included. To be ordered separately.

	COD.	F	E	A		€
	A 10 15 10	16	15	26	1	
	A 10 20 10	16	20	31	1	
	A 10 25 10	16	25	36	1	
	A 10 30 10	16	30	41	1	
	A 10 35 10	16	35	46	1	
	A 10 15 30	20	15	26	1	
	A 10 15 20	22	15	26	1	
	A 10 20 20	22	20	26	1	
	A 10 25 20	22	25	31	1	
	A 10 30 20	22	30	41	1	
A 10 35 20	22	35	46	1		
SPECIAL FINISHES						
	A 10 __ _ 2	Overcharge for nickel plated cylinder.				

Latchbolt only. 8 mm. spindle hole.

Zinc plated case. Nickel plated forend.

Strike not included. To be ordered separately.

	COD.	F	E	A		€
	A 11 15 10	16	15	26	1	
	A 11 15 30	20	15	26	1	
	A 11 15 20	22	15	26	1	

Adjustable roller only.

Zinc plated case. Nickel plated forend.

Strike not included. To be ordered separately.

	COD.	F	A	
	A 12 15 10	16	26	1
	A 12 15 30	20	26	1
	A 12 15 20	22	26	1



MORTICE LOCKS FOR METAL FRAMES

OPEN CASE - SUPPLIED WITH CYLINDER-

GENERAL SPECIFICATION

VERTICAL TYPE.

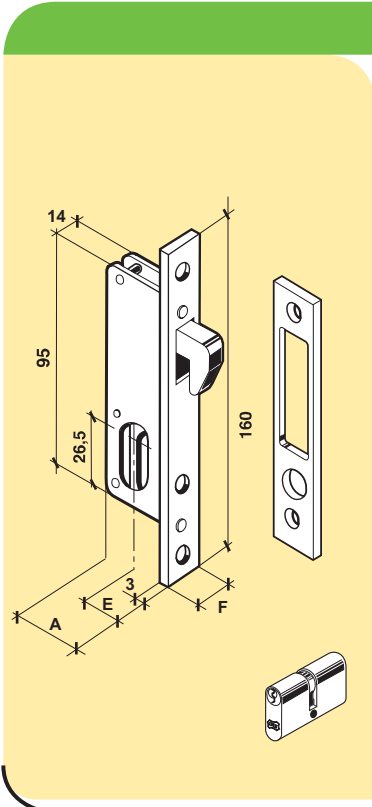
Hook bolt.

Double oval cylinder 27x27=54 mm.size with 5 pin tumbler key mechanism.

Zinc plated case. Nickel plated forend.

3 nickel plated brass keys.

Strike included.



COD.	F	E	A		€
A 13 20 30	20	20	33	1	

SPECIAL FINISHES

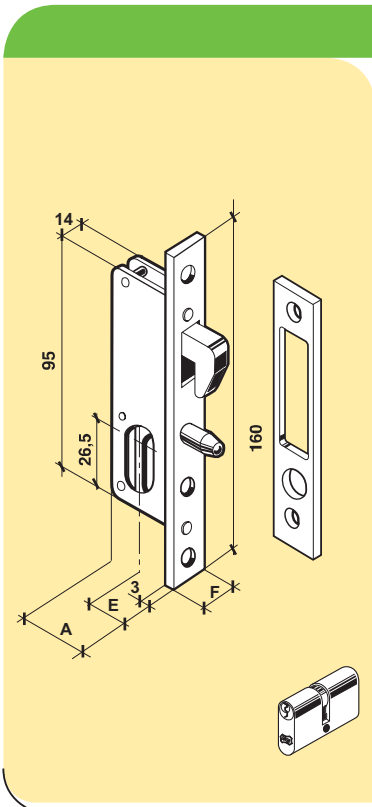
A 13 20 32	Overcharge for nickel plated cylinder.				
------------	--	--	--	--	--

Hook bolt with stud.

Double oval cylinder 27x27=54 mm.size with 5 pin tumbler key mechanism.

Zinc plated case. Nickel plated forend.

Strike included.



COD.	F	E	A		€
A 14 20 30	20	20	33	1	

SPECIAL FINISHES

A 14 20 32	Overcharge for nickel plated cylinder.				
------------	--	--	--	--	--

MORTICE LOCKS FOR METAL FRAMES

CLOSED CASE -SUPPLIED WITH CYLINDER-



GENERAL SPECIFICATION

VERTICAL TYPE.

Reversible latchbolt operated by key.

One throw deadbolt with 15 mm. projection.

Euro profile double cylinder conforming to EN 1303

- security grade 3 - 16-0-13 classification European Standard, 27x31=58 mm. size with 5 pin tumbler

key mechanism (2 picking resistant).

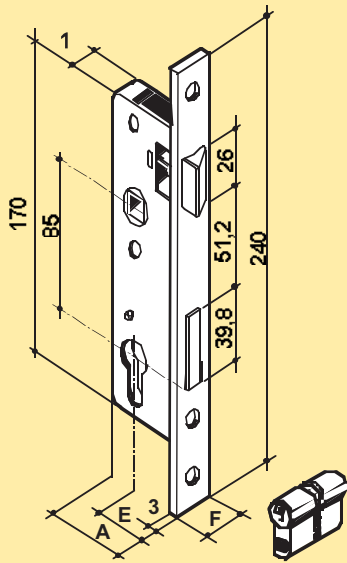
Sanded brass cylinder.

Zinc plated case and nickel plated forend.

3 nickel plated brass keys.

Strike not included. To be ordered separately.

85 mm. SPACING
8 mm. SPINDLE HOLE



COD.	F	E	A		€
A 17 20 20 *	22	21	36	1	
A 17 25 20	22	25	40	1	
A 17 30 20	22	30	45	1	
A 17 35 20	22	35	50	1	

SPECIAL FINISHES

A 17 __ 22

Overcharge for nickel plated cylinder.

* 27x27=54 cylinder size

VERTICAL TYPE.

Adjustable roller.

One throw deadbolt with 15 mm. projection.

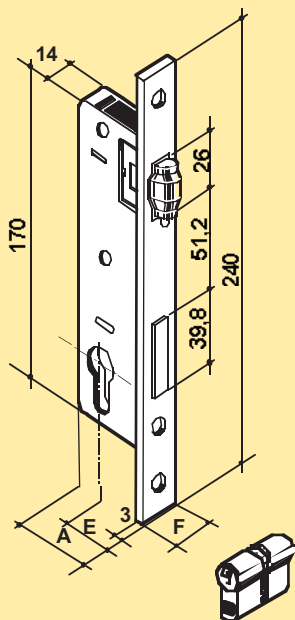
Euro profile double cylinder conforming to EN 1303 - security grade 3 - 16-0-13 classification European

Standard, 27x31=58 mm. size with 5 pin tumbler key mechanism (2 picking resistant). Sanded brass cylinder.

Zinc plated case and nickel plate forend.

3 nickel plated brass keys.

Strike not included. To be ordered separately.



COD.	F	E	A		€
A 18 20 20 *	22	21	36	1	
A 18 25 20	22	25	40	1	
A 18 30 20	22	30	45	1	
A 18 35 20	22	35	50	1	

SPECIAL FINISHES

A 18 __ 22

Overcharge for nickel plated cylinder.

* 27x27=54 cylinder size



MORTICE LOCKS FOR METAL FRAMES

CLOSED CASE -SUPPLIED WITH CYLINDER-

GENERAL SPECIFICATION

VERTICAL TYPE

6 pin cross key cylinder.

Reversible latchbolt operated by key.

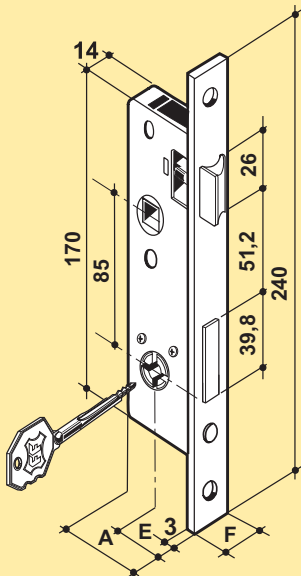
One throw deadbolt with 15 mm. projection.

Zinc plated case and nickel plated forend.

3 nickel plated brass keys.

Strike not included. To be ordered separately.

85 mm. SPACING
8 mm. SPINDLE HOLE



COD.	F	E	A		€
A 28 20 20	22	21	36	1	
A 28 25 20	22	25	40	1	
A 28 30 20	22	30	45	1	
A 28 35 20	22	35	50	1	

6 pin cross key cylinder.

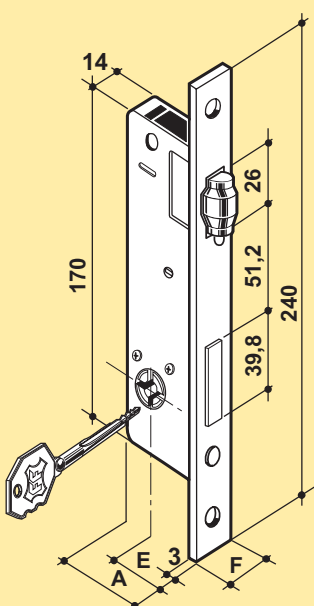
Adjustable roller.

One throw deadbolt with 15 mm. projection.

Zinc plated case and nickel plated forend.

3 nickel plated brass keys.

Strike not included. To be ordered separately.



COD.	F	E	A		€
A 29 20 20	22	21	36	1	
A 29 25 20	22	25	40	1	
A 29 30 20	22	30	45	1	
A 29 35 20	22	35	50	1	

MORTICE LOCKS FOR METAL FRAMES

CLOSED CASE -SUPPLIED WITH CYLINDER-



GENERAL SPECIFICATION

VERTICAL TYPE. INOX STEEL FOREND.

Reversible latchbolt operated by key.

One throw deadbolt with 15 mm. projection.

Euro profile double cylinder conforming to EN 1303

- security grade 3 - 16-0-13 classification European

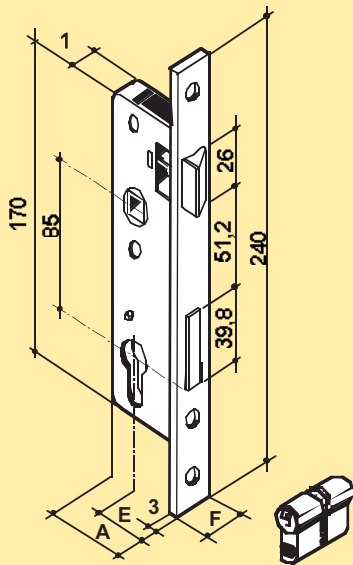
Standard, 27x31=58 mm. size with 5 pin tumbler key mechanism (2 picking resistant). Dull nickel plated cylinder.

Zinc plated case and **inox steel forend.**

3 nickel plated brass keys.

Strike not included. To be ordered separately.

85 mm. SPACING
8 mm. SPINDLE HOLE



COD.	F	E	A		€
A 15 20 22 *	22	21	36	1	
A 15 25 22	22	25	40	1	
A 15 30 22	22	30	45	1	
A 15 35 22	22	35	50	1	

* 27x27=54 cylinder size

VERTICAL TYPE. INOX STEEL FOREND.

Adjustable roller.

One throw deadbolt with 15 mm. projection.

Euro profile double cylinder conforming to EN 1303 -

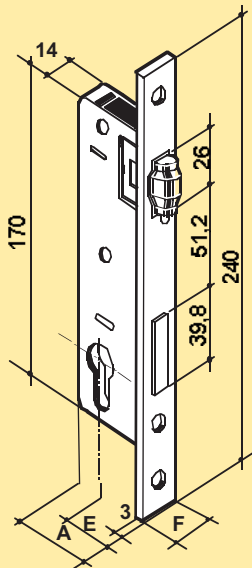
security grade 3 - 16-0-13 classification European

Standard, 27x31=58 mm. size with 5 pin tumbler key mechanism (2 picking resistant). Dull nickel plated cylinder.

Zinc plated case and **inox steel forend.**

3 nickel plated brass keys.

Strike not included. To be ordered separately.



COD.	F	E	A		€
A 16 20 22 *	22	21	36	1	
A 16 25 22	22	25	40	1	
A 16 30 22	22	30	45	1	
A 16 35 22	22	35	50	1	



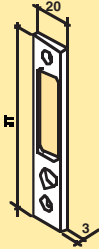




* 27x27=54 cylinder size

	COD.	€
	<p>31 033 00 00 1</p> <p>150 mm. self-lubricating black nylon strike suitable for horizontal type.</p> <p>To be used for profiles: 100 ALLCO 5, 5 TT, P4 COMPLANARE. METRA NUOVO NC40 COMPLANARE. METRA NUOVO NC50 COMPLANARE. ALNOR MONTREAL FINESTRE. ALNOR BLINDO BLOCK. ESA GIUNTAL 45 / 45 S. - ESA THERMAL 45 OCMA FC 40, FC 45, TT 65.</p> <p>For models: - A 41 ___ 0 - A 45 ___ 0 - A 81 ___ 0 - A 83 ___ 0 - A 85 ___ 0 - A 61 ___ 0 - A 63 ___ 0 - A 66 ___ 0</p>	
	<p>31 034 00 00 1</p> <p>120 mm. self-lubricating black nylon strike suitable for horizontal type.</p> <p>To be used for profiles: 100 METRA NUOVO NC 40.</p> <p>For models: - A 41 ___ 0 - A 45 ___ 0 - A 81 ___ 0 - A 83 ___ 0 - A 85 ___ 0 - A 61 ___ 0 - A 63 ___ 0 - A 66 ___ 0</p>	
	<p>33 050 00 00 1</p> <p>120 mm. self-lubricating black nylon forend spacer suitable for horizontal type.</p> <p>16 mm. forend. 100</p> <p>For models: - A 41 ___ 0 - A 45 ___ 0 - A 81 ___ 0 - A 83 ___ 0 - A 85 ___ 0 - A 61 ___ 0 - A 63 ___ 0 - A 66 ___ 0</p>	

	COD.		€
		190mm. steel flat nickel plated strike suitable for vertical type.	
	31 094 01 12 1	16 mm. forend.	100
	31 094 08 12 1	20 mm. forend.	100
	31 094 02 12 1	22 mm. forend.	100
	For models: - A 20 _ _ _ _		
		190mm. steel flat nickel plated strike suitable for vertical type.	
	31 095 01 12 1	16 mm. forend.	100
	31 095 08 12 1	20 mm. forend.	100
	31 095 02 12 1	22 mm. forend.	100
	For models: - A 21 _ _ _ _		
		100mm. steel flat nickel plated strike suitable for vertical type.	
	31 098 01 12 1	16 mm. forend.	100
	31 098 08 12 1	20 mm. forend.	100
	31 098 02 12 1	22 mm. forend.	100
	For models: - A 10 _ _ _ _		
		100mm. steel flat nickel plated strike suitable for vertical type.	
	31 096 01 12 1	16 mm. forend	100
	31 096 08 12 1	20 mm. forend	100
	31 096 02 12 1	22 mm. forend	100
	For models: - A 11 _ _ _ _		
		100mm. steel flat nickel plated strike suitable for vertical type.	
	31 097 01 12 1	16 mm. forend	100
	31 097 08 12 1	20 mm. forend	100
	31 097 02 12 1	22 mm. forend	100
	For models: - A 12 _ _ _ _		

ACCESSORIES- STRIKES FOR METAL FRAME MORTICE LOCKS


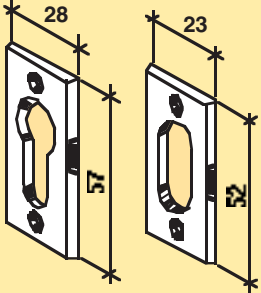
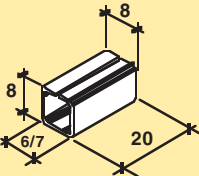
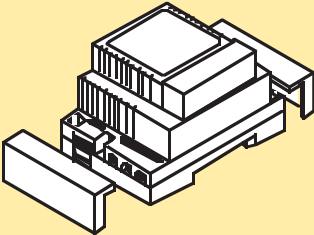
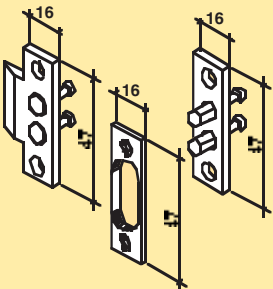
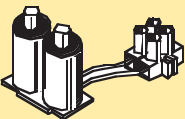


	COD.		
	<p>31 083 08 28 1</p>	<p>97 mm. steel flat zinc plated strike suitable for vertical type.</p> <p>20 mm. forend.</p> <p>For models: - A 13 _____ - A 14 _____</p>	<p>100</p>
	<p>31 049 02 12 1 31 076 02 12 1</p>	<p>190 mm. steel flat nickel plated strike suitable for vertical type.</p> <p>22 mm.forend. -for latchbolt model- 22 mm.forend. -for roller model-</p> <p>For models: - A 15 _____ - A 16 _____ - A 17 _____ - A 18 _____ - A 28 _____ - A 29 _____</p>	<p>100 100</p>
	<p>31 093 10 12 1 31 099 10 12 1</p>	<p>205 mm. steel flat adjustable nickel plated strike supplied with spacers and assembling screws suitable for vertical type.</p> <p>21 mm.forend. -for latchbolt model- 21 mm.forend. -for roller model-</p> <p>For models: - A 15 _____ - A 16 _____ - A 17 _____ - A 18 _____ - A 28 _____ - A 29 _____</p>	<p>100 100</p>
	<p>31 041 02 12 1 31 038 02 12 1</p>	<p>240 mm. heavy steel flat nickel plated strike suitable for vertical type.</p> <p>22 mm.forend. -for latchbolt model- 22 mm.forend. -for roller model-</p> <p>For models: - A 15 _____ - A 16 _____ - A 17 _____ - A 18 _____ - A 28 _____ - A 29 _____</p>	<p>100 100</p>
	<p>31 154 02 64 1</p>	<p>190 mm. inox steel flat strike suitable for vertical type.</p> <p>22 mm.forend. -for latchbolt model-</p> <p>For models: - A 15 _____ - A 16 _____</p>	<p>100</p>

COD.	€
	<p>154 mm. self-lubricating black nylon strike suitable for vertical type.</p> <p>31 035 00 00 1 To be used for profiles: 100 RAI ALUMINIA R40, R50, R50 TT.</p> <p>For models: - A 15 _____ - A 16 _____ - A 17 _____ - A 18 _____ - A 28 _____ - A 29 _____</p>
	<p>154 mm. self-lubricating black nylon strike suitable for vertical type.</p> <p>31 036 00 00 1 To be used for profiles: 100 ALLCO 5, 5 TT, P4 SORMONTO. ALLCO 5 SORMONTO. METRA NUOVO NC40 SORMONTO. METRA NUOVO NC50 SORMONTO. METRA NC45 INTERNATIONAL. ALNOR MONTREAL FINESTRE. ALNOR BLINDO BLOCK. ESA GIUNTAL 45 / 45 S. ESA THERMAL 45. OCMA FC 40, FC 45, TT 65. ALFA 445. DOMAL STOPPER. DOMAL NUOVO 40.</p> <p>For models: - A 15 _____ - A 16 _____ - A 17 _____ - A 18 _____ - A 28 _____ - A 29 _____</p>
	<p>154 mm. self-lubricating black nylon strike suitable for vertical type.</p> <p>31 037 00 00 1 To be used for profiles: 100 METRA NUOVO NC40. METRA NUOVO NC40 COMPLANARE. ALLCO P4 COMPLANARE.</p> <p>For models: - A 15 _____ - A 16 _____ - A 17 _____ - A 18 _____ - A 28 _____ - A 29 _____</p>
	<p>245 mm. self-lubricating black nylon forend spacer suitable for vertical type.</p> <p>33 054 00 00 1 22 mm. forend. 100</p> <p>For models: - A 15 _____ - A 16 _____ - A 17 _____ - A 18 _____ - A 28 _____ - A 29 _____</p>

ACCESSORIES FOR METAL FRAME MORTICE LOCKS



	COD.		€
	<p>Black nylon rectangular escutcheons.</p> <p>52 005 00 00 1 52 007 00 00 1</p>	<p>Suitable for oval cylinders. Suitable for euro profile cylinders.</p>	<p>100 100</p>
	<p>Follower reducer.</p> <p>14 070 20 00 1 14 071 20 00 1</p>	<p>From 8 mm. to 6 mm. spindle hole. From 8 mm. to 7 mm. spindle hole.</p>	<p>500 500</p>
	<p>Transformers.</p> <p>Intermittent current-VA 18. Direct current-VA 13,5.</p> <p>H511 011 00 1 H511 022 00 1</p>	<p>Primary 110 V - Secondary 12 V. Primary 220 V - Secondary 12 V.</p> <p>For model: A 66 _ _ _ _</p>	<p>1 1</p>
	<p>Pair of pressure operated contacts.</p> <p>H1000 00 00 1</p>	<p>For model: A 66 _ _ _ _</p>	<p>10</p>
	<p>Electromagnet solenoid unit.</p> <p>H2003 00 00 1</p>	<p>12 volt.</p> <p>For model: A 66 _ _ _ _</p>	<p>10</p>