



SECURITY PADLOCKS GENERAL SPECIFICATION

PRODUCT RANGE

PADLOCKS:

- Standard shackle padlocks.
- Long shackle padlocks.
- Heavy duty solid brass shutter padlocks.
- Heavy duty shutter padlocks horizontally or fully sheathed by carbonitrided, hardened and chrome plated steel cover on solid brass body.
Padlocks can be supplied:
 - Keyed alike(KA).
 - Keyed as per sample(KS).
 - Masterized (MK or GMK).
 - Preassembled.
 - Coloured heavy duty armoured models.
 - Blister packed heavy duty shutter models.
 - Accessories available

SECURITY FEATURES

- Paracentric keyway.
- Double locking.
- Snap operating carbonitrided, hardened steel shackle or locking bar.
- Pin tumbler key mechanism.
- Heavy duty padlocks with 3mm. carbonitrided, hardened and chrome plated cover, 5 pin tumbler key mechanism (2 picking resistant and anti drill 1st. pin).

MATERIAL SPECIFICATION

- Extruded solid brass body and plug.
- Carbonitrued and hardened steel cover, shackle and steel locking bar.
- Inox steel inside cylinder springs.
- Brass strip for keys.

FINISHES

- Grinded brass body and nickel plated steel shackle for standard and long shackle.
- Grinded brass body and chrome plated locking bar for special padlocks.
- Chrome plated steel locking bar and cover for heavy duty armoured padlocks.

PACKING

- Singly boxed into multiple packaging, eye-catcher packaging and/or special merchandiser.

GUARANTEE

- All our padlocks are covered by a 5 year mechanical guarantee.



SHACKLE SOLID BRASS PADLOCKS

GENERAL SPECIFICATION

Snap operating carbonitrided, hardened and nickel plated steel **shackle**. Double locking. Paracentric keyway.

Pin tumbler key mechanism. Inox springs. Drainage hole. 2 brass nickel plated keys.

	COD.	A	B	D	H	S			€
	L 10 20 00	20	25	3,5	13,5	11,5	3	12	
	L 10 25 00	25	25	4	14,5	14,5	3	12	
	L 10 30 00	30	28,5	5	16	16,5	4	12	
	L 10 40 00	40	34	6	22	23	5	12	
	L 10 50 00	50	39	8	28	29	5	6	
	L 10 60 00	60	44	10	37	35	5	6	
	L 10 70 00	70	52,5	12	45,5	39	5	6	

Snap operating carbonitrided, hardened and nickel plated steel **long shackle**. Double locking. Paracentric keyway.

Pin tumbler key mechanism. Inox springs. Drainage hole. 2 brass nickel plated keys.

	COD.	A	B	D	H	S			€
	L 20 30 00	30	28,5	5	50	16,5	4	12	
	L 20 40 00	40	34	6	74	23	5	12	
	L 20 50 00	50	39	8	69	29	5	6	

ROLLER SHUTTER SOLID BRASS PADLOCKS



GENERAL SPECIFICATION

Snap operating carbonitrided, hardened and chrome plated **locking bar**. Double locking. Paracentric keyway.

Pin tumbler key mechanism (2 picking resistant). Inox springs. Key retention. 2 brass nickel plated keys.

	COD.	A	B	C	H	S	D			€
	L 80 55 00	56	41	16	24,5	18	8	4	6	
	L 80 70 00	72	50	19	30	22	11	5	6	
	L 80 90 00	90	65	19	35	36	12	5	6	

	BLISTER PACKED PADLOCKS									
	L 80 55 01	56	41	16	24,5	18	8	4	6	
	L 80 70 01	72	50	19	30	22	11	5	6	
	L 80 90 01	90	65	19	35	36	12	5	6	

	PREASSEMBLED PADLOCKS		
L 80 55 08	Locking bar, closing bolts and plug already	500	
L 80 70 08	fixed. Keys, pins, drivers, springs and	500	
L 80 90 08	pinhole plugs to be ordered separately.	500	

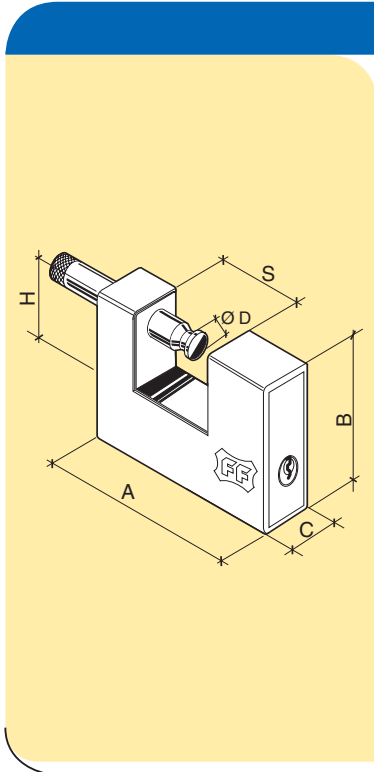


ROLLER SHUTTER PADLOCKS HORIZONTALLY SHEATHED BY ARMOURED STEEL COVER ON BRASS BODY

GENERAL SPECIFICATION

Heavy duty armoured shutter padlocks **horizontally sheathed** by 3 mm. carbonitrided, hardened and chrome plated steel cover. Snap operating carbonitrided, hardened and chrome plated steel **locking bar**.
Double locking. Paracentric keyway.

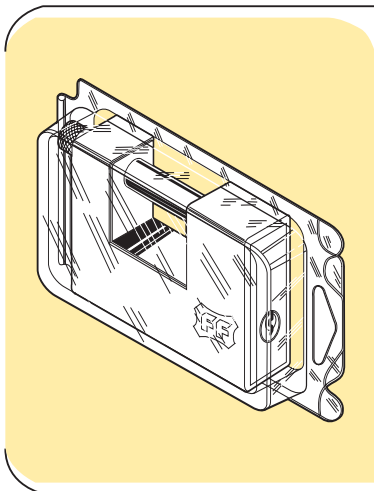
5 pin tumbler key mechanism (2 picking resistant) and anti-drill 1st. pin.
Inox springs. Key retention.
3 brass nickel plated keys.



COD.	A	B	C	H	S	D			€
L 82 70 00	72	56	25	33	22	11	5	6	
L 82 90 00	90	71	25	38	36	12	5	6	

COLOURED ARMOURED PADLOCKS

L 82 70 10	72	56	25	33	22	11	5	6	
L 82 90 10	90	71	25	38	36	12	5	6	



BLISTERED PACKED ARMOURED PADLOCKS

L 82 70 01	72	56	25	33	22	11	5	6	
L 82 90 01	90	71	25	38	36	12	5	6	

COLOURED BLISTERED ARMOURED PADLOCKS

L 82 70 11	72	56	25	38	22	11	5	6	
L 82 90 11	90	71	25	38	36	12	5	6	

PREASSEMBLED ARMOURED PADLOCKS

L 82 70 08	Bolt, closing bolts and plug already fixed.		500
L 82 90 08	Unassembled steel cover.		500
	Keys, pins, drivers, springs and pinhole plugs to be ordered separately.		

ROLLER SHUTTER PADLOCKS FULLY SHEATHED BY ARMoured STEEL COVER ON BRASS BODY



GENERAL SPECIFICATION

Heavy duty armoured shutter padlocks **fully sheathed** by 3 mm. carbonitrided, hardened and chrome plated steel cover. Snap operating carbonitrided, hardened and chrome plated steel **locking bar**.
Double locking. Paracentric keyway.

5 pin tumbler key mechanism (2 picking resistant) and anti-drill 1st. pin. Inox springs. Key retention. 3 brass nickel plated keys.

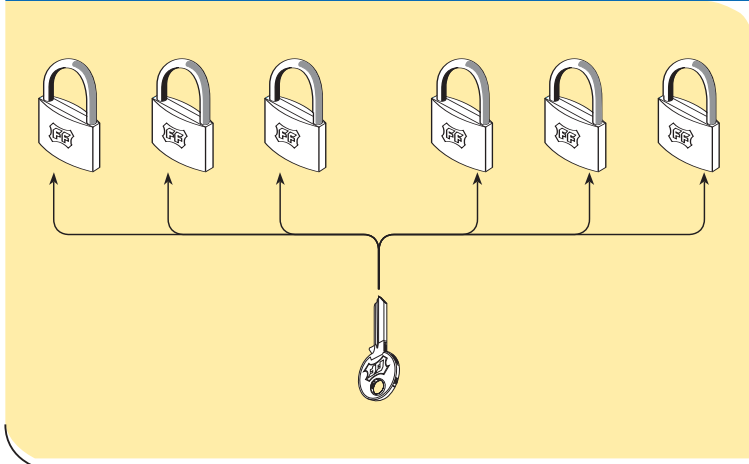
	COD.	A	B	C	H	S	D			€
	L 83 70 00	75	56	25	33	22	11	5	6	
	L 83 90 00	93	71	25	38	36	12	5	6	
COLOURED FULLY ARMoured PADLOCKS										
	L 83 70 10	75	56	25	33	22	11	5	6	
	L 83 90 10	93	71	25	38	36	12	5	6	

	BLISTERED PACKED FULLY ARMoured PADLOCKS									
	L 83 70 01	75	56	25	33	22	11	5	6	
	L 83 90 01	93	71	25	38	36	12	5	6	
COLOURED BLISTERED FULLY ARMoured PADLOCKS										
	L 83 70 11	75	56	25	33	22	11	5	6	
	L 83 90 11	93	71	25	38	36	12	5	6	

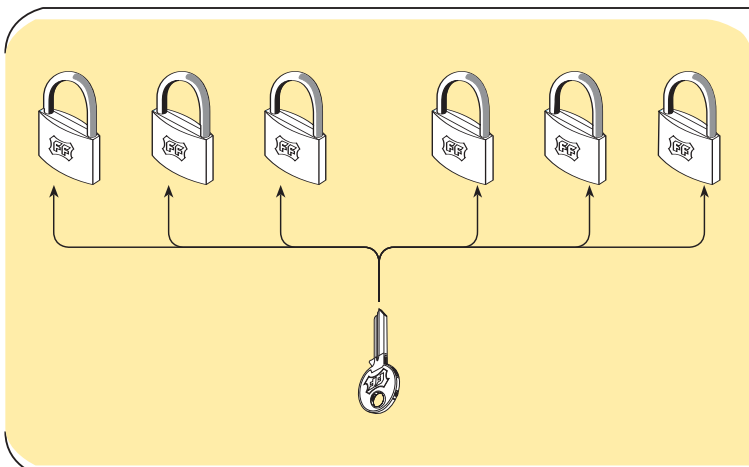
	PREASSEMBLED FULLY ARMoured PADLOCKS		
L 83 70 08	Bolt, closing bolts and plug already fixed.	500	
L 83 90 08	Unassembled steel cover	500	
	Keys, pins, drivers, springs and pinhole plugs to be ordered separately.		

COD.

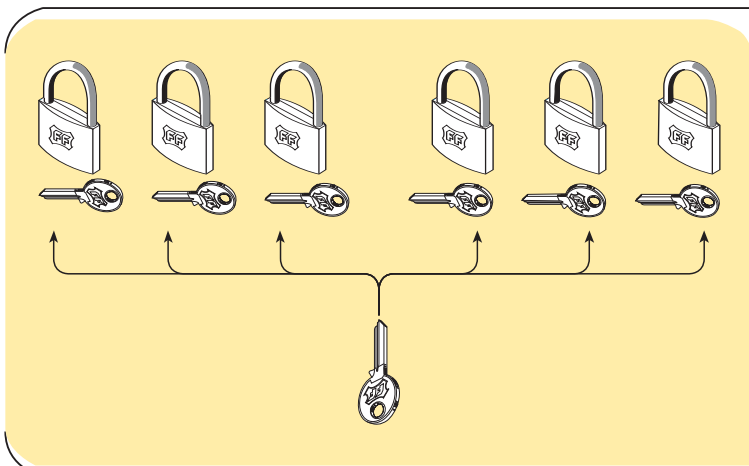
€



L_____ KA **Keyed alike system at our choice (K.A.)**
 All padlocks have the same key change at manufacturer's choice.
 Available for all padlocks.



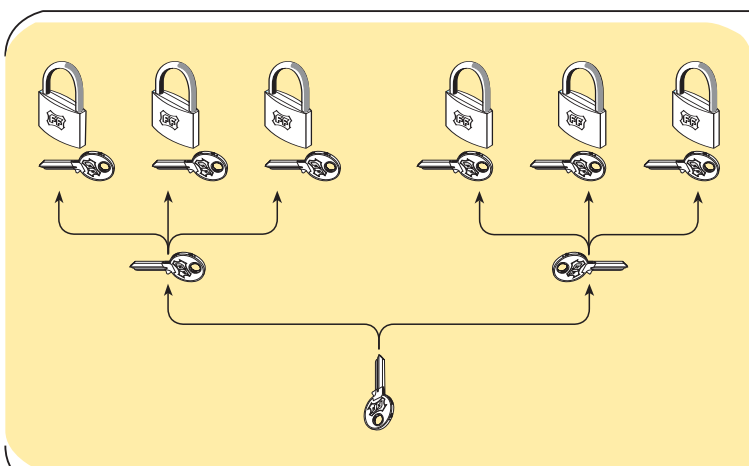
L_____ KS **Keyed alike system on sample (K.S.)**
 All padlocks have the same key change as previously supplied to customer.
 Available for all padlocks.



L_____ MK **Master key system (M.K.)**
 Each padlock has its own individual key, however all padlocks can also be operated by the master key supplied in 3 copies.
 Available for padlocks from size 50 mm.
 Quantity depending on technical feasibility.

41 040 14 12MK Additional 2 key set for padlocks L10, L20, L80

41 041 14 12MK Additional 3 key set for padlocks L82, L83



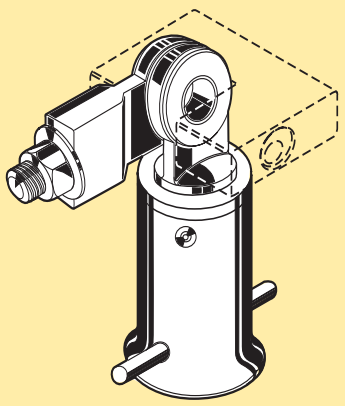
L_____ GK **General Master Key System (G.M.K.)**
 Two or more master key systems are operated by the master key of each group and also by a general master key supplied in 3 copies.
 Available for padlocks from size 50 mm.
 Quantity depending on technical feasibility.

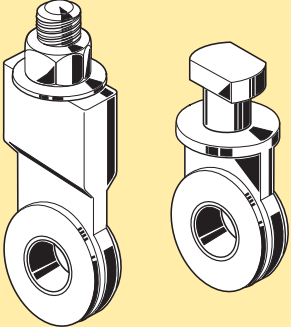
41 040 14 12MK Additional 2 key set for padlocks L10, L20, L80

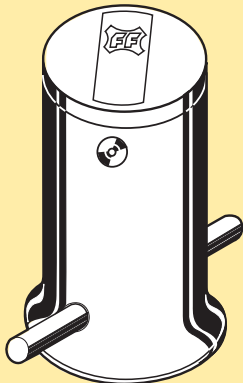
41 041 14 12MK Additional 3 key set for padlocks L82, L83

ACCESSORIES FOR ROLLER SHUTTER PADLOCKS



COD.		€
	60 000 00 28 1	L 807000 - L 827000 - L 837000 padlocks 1
	60 001 00 28 1	L 809000 - L 829000 - L 839000 padlocks 1

	60 002 00 28 1	L 807000 - L 827000 - L 839000 padlocks 4
	60 003 00 28 1	L 809000 - L 829000 - L 839000 padlocks 4

	58 030 00 28 1	For all roller shutter padlocks 4
---	----------------	-----------------------------------

COD.	MM	Ø	€
HARDENED ZINC PLATED STEEL CHAIN COVERED BY UNSHRINKABLE PLASTIC COATING.			
53 036 08 28	800	4	1
53 037 10 28	1000	6	1
53 038 09 28	900	8	1
53 038 12 28	1200	8	1
53 038 15 28	1500	8	1
53 041 20 28	2000	10	1